

本ページコピー不要

Digital Photo Printer  
CHC-S2145 SERIES  
I P B  
(Illustrated Parts Break Down)

Dated Feb.19.2007  
Revision No. First Edition

配布先

海外営業	1
T	
+	
計	1

SHINKO ELECTRIC CO., LTD.

承認
川 '07.02.19 村
調査
竹 '07.02.19 内
作成
上 '07.02.19 田

Digital Photo Printer  
CHC-S2145 SERIES  
I P B  
(Illustrated Parts Break Down)

Dated Feb.19.2007  
Revision No. First Edition

SHINKO ELECTRIC CO., LTD.



## CONTENTS

	Page
1.Scope -----	2
2.Break Down Table -----	3
Parts List	
(1) Digital Photo Printer CHC-S2145-5 -----	4
(2) Digital Photo Printer 1641105000 -----	5
(3) Printer Unit 1641105001 -----	6
(4) Ribbon Frame Assy 1641104991 -----	7
(5) Ribbon Frame Sub-Assy 1641104992 -----	8
(6) Ribbon Frame(R) Assy 1641104995 -----	9
(7) Ribbon Frame(L) Assy 1641104996 -----	10
(8) Upper Unit 1641104980 -----	11
(9) Upper Frame Assy 1641104982 -----	12
(10) Upper Frame Sub-Assy 1641104987 -----	13
(11) Engine Lock Shaft Assy 1641104993 -----	14
(12) DC Motor Assy(Ribbon Winding) 1641104770 -----	15
(13) Ribbon Brake Assy 1641105002 -----	16
(14) Thermal Head Assy 1641109901 -----	17
(15) DC Motor Assy(Head) 1641109907 -----	18
(16) Head Press Lever Assy 1641104985 -----	19
(17) Upper Cam Shaft Assy 1641105047 -----	20
(18) Head Cam Shaft Assy 1641104984 -----	21
(19) Head Fulcrum Assy 1641105003 -----	22
(20) Upper Frame(Center) Assy 1641105035 -----	23
(21) Engine Frame Assy 1641104960 -----	24
(22) Cleaning Roller Assy 1641109912 -----	25
(23) Feed Roller Assy 1641104971 -----	26
(24) Position Sensor Assy 1641104976 -----	27
(25) Paper Guide(Back) Assy 1641104977 -----	28
(26) Pinch Cam Shaft Assy 1641104978 -----	29
(27) Feed Pich Shaft Assy 1641104979 -----	30
(28) Cutter Unit 1641109902 -----	31
(29) Joint Center Assy 1641104959 -----	32
(30) Engine Frame(R) Assy 1641104961 -----	33
(31) Engine Frame(L) Assy 1641104962 -----	34
(32) Joint Rear Assy 1641105038 -----	35
(33) DC Motor Assy(PinchRoller) 1641109008 -----	36
(34) Engine Unit 1641104990 -----	37

(35) Pulse Motor Assy

1641104963

-----

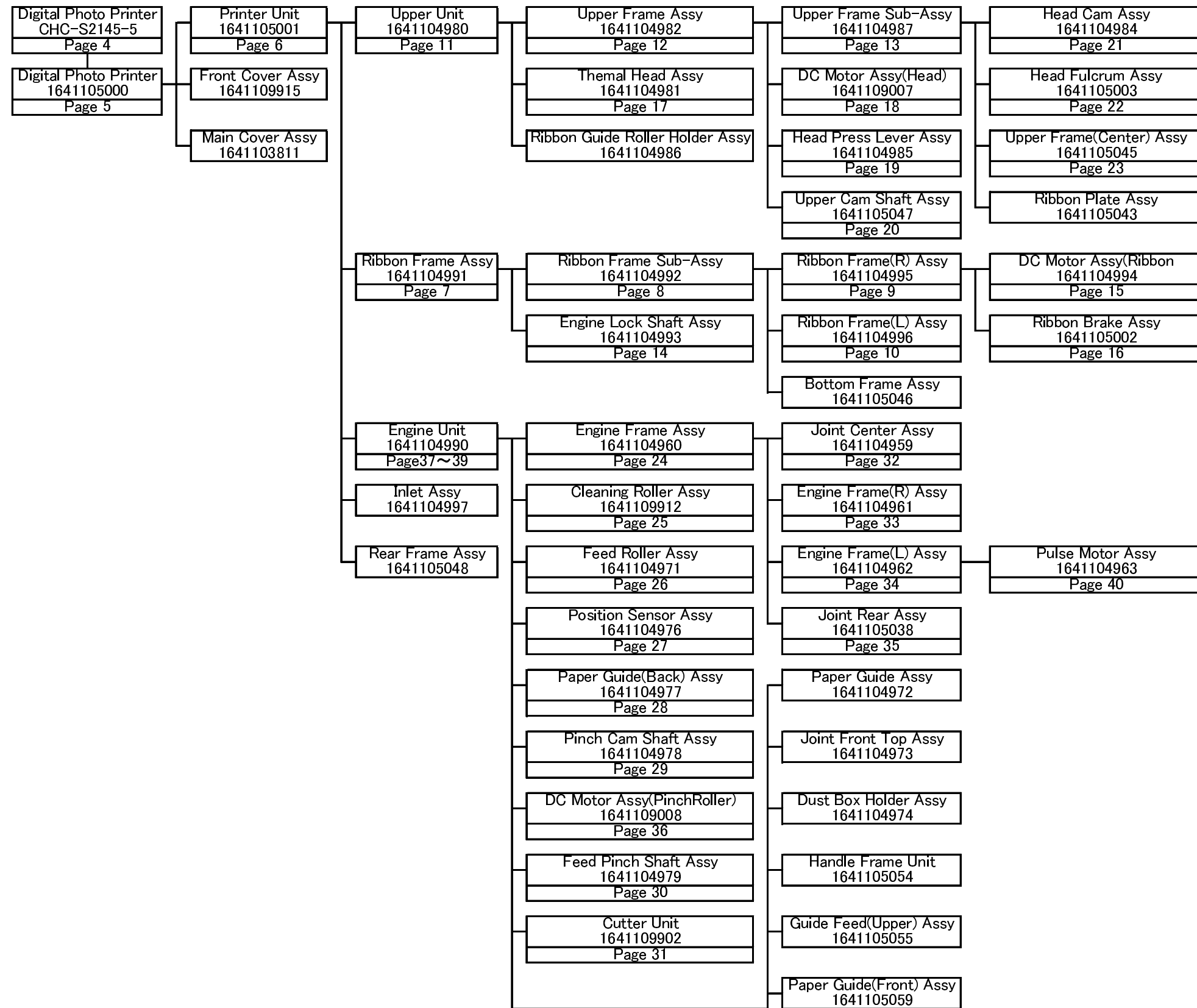
40

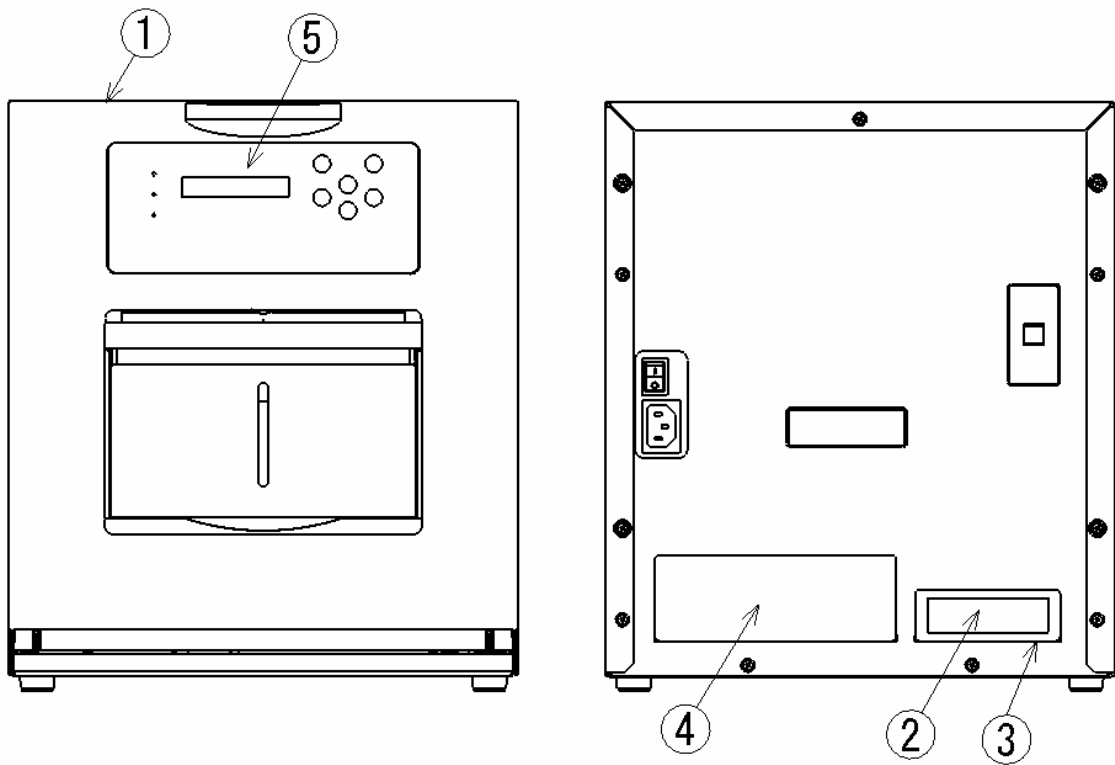
## 1.SCOPE

The illustrated parts break down (IPB) manual clarifies the parts number, form and relationships with each other for assembly of parts.

Applicable model	Power source	Print Size	Remarks
CHC-S2145-5-01	AC110/220V $\pm$ 10%	3.5x5",5x7",4x6",6x9"	For JAPAN
CHC-S2145-5-51	AC110/220V $\pm$ 10%	3.5x5",5x7",4x6",6x9"	For USA
CHC-S2145-5-52	AC110/220V $\pm$ 10%	3.5x5",5x7",4x6",6x9"	For EUROPE
CHC-S2145-5-53	AC110/220V $\pm$ 10%	3.5x5",5x7",4x6",6x9"	For USA(with Windows Driver)
CHC-S2145-5-54	AC110/220V $\pm$ 10%	3.5x5",5x7",4x6",6x9"	For EUROPE(with Windows Driver)

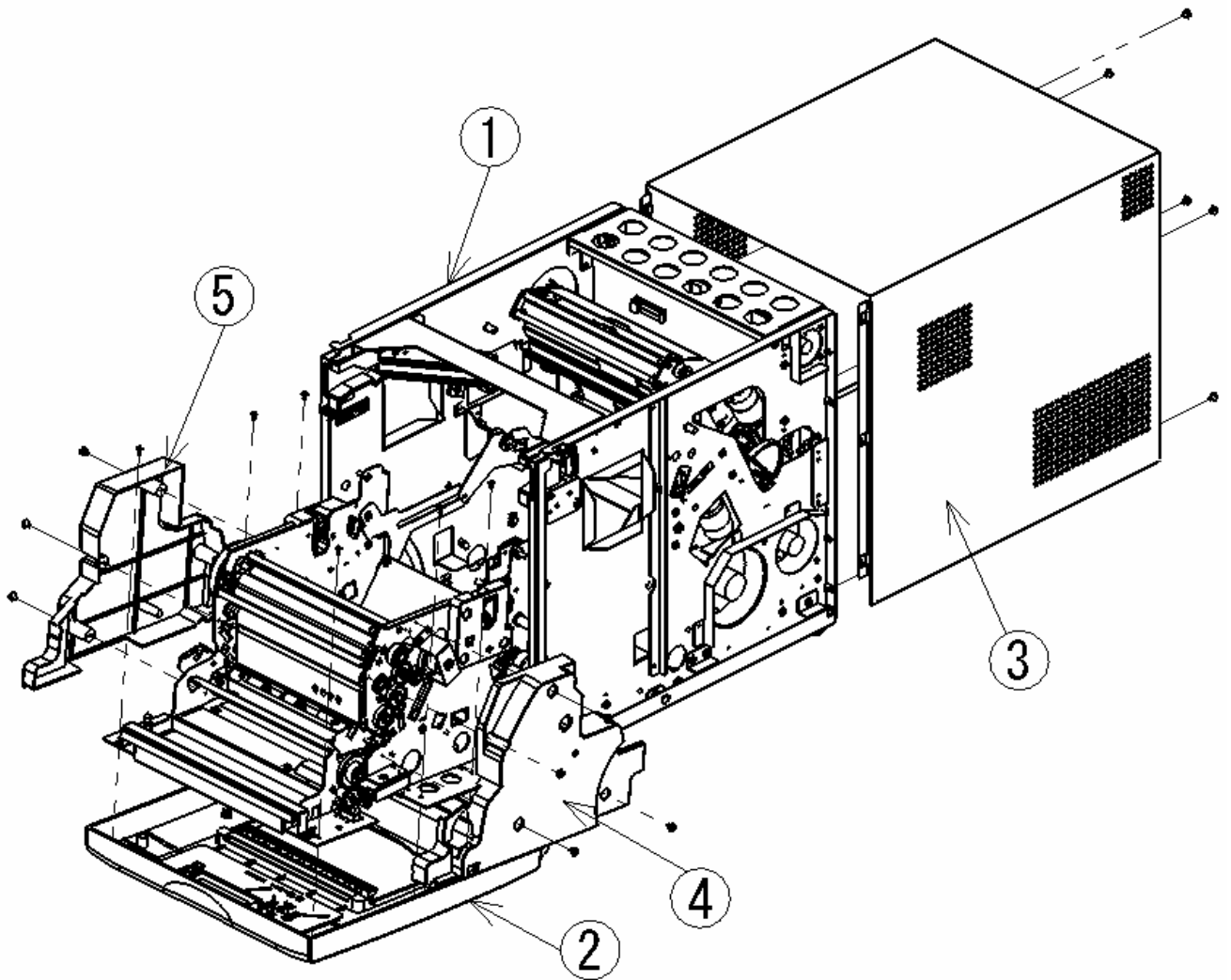
2.Break Down Table





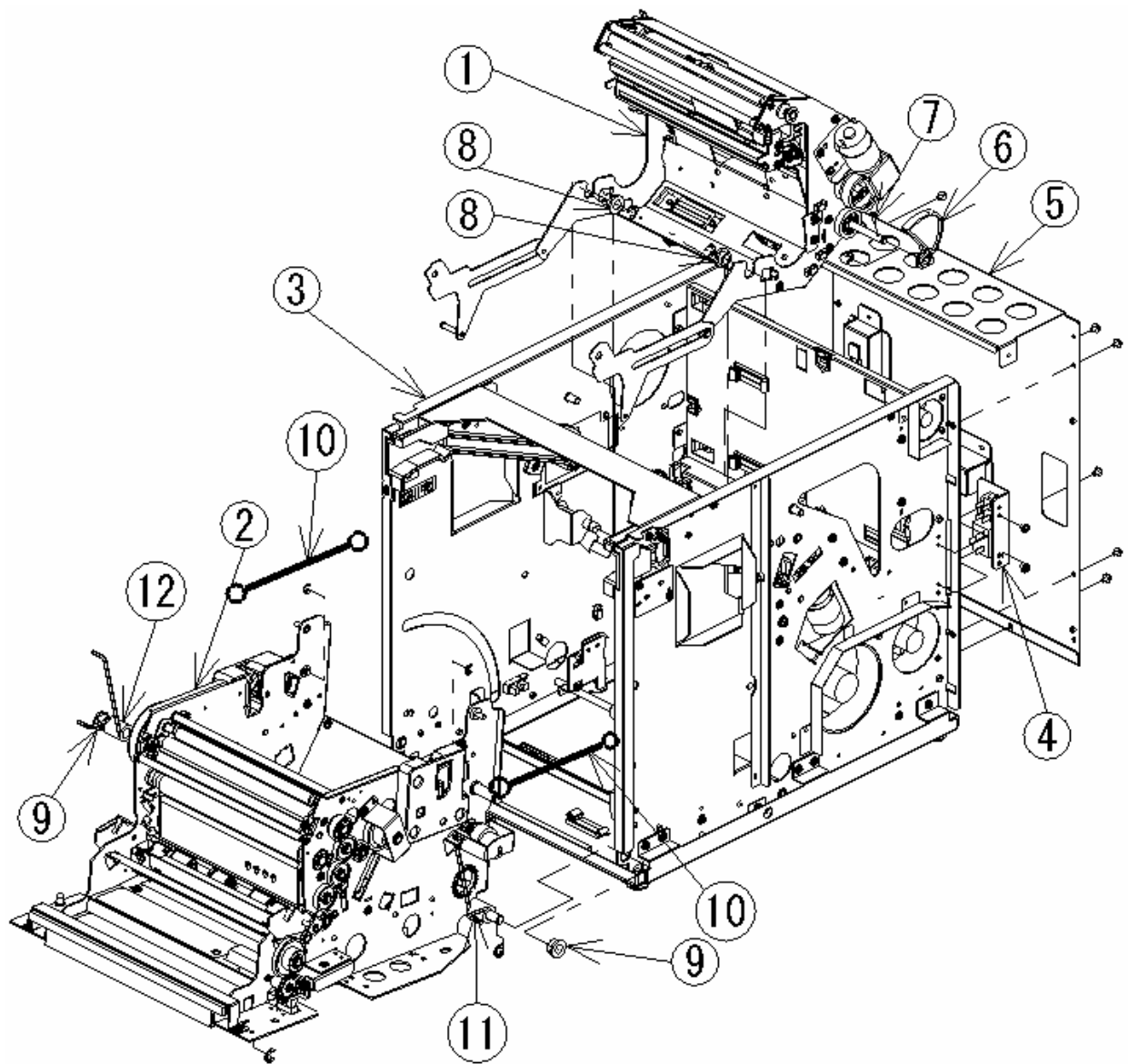
QTY	No.	Name	Part No.	Fasteners			Remarks
				Name	P/N	QTY	MODEL
1	1	Digital Photo Printer	1641105000				
1	2	S/N Sticker	060961583				
1	3	Protect sticker	1641131496052E S				
1	4	Data Plate	1641132995ES				
1	5	Operation Sticker	1641132984ES				
1	6	Accessories	1641109882				-01
			1641109882051				-51
			1641109882052				-52
			1641109882054				-53
			1641109882055				-54

Name	Digital Photo Printer
Part Number	CHC-S2145-5-01,51~54



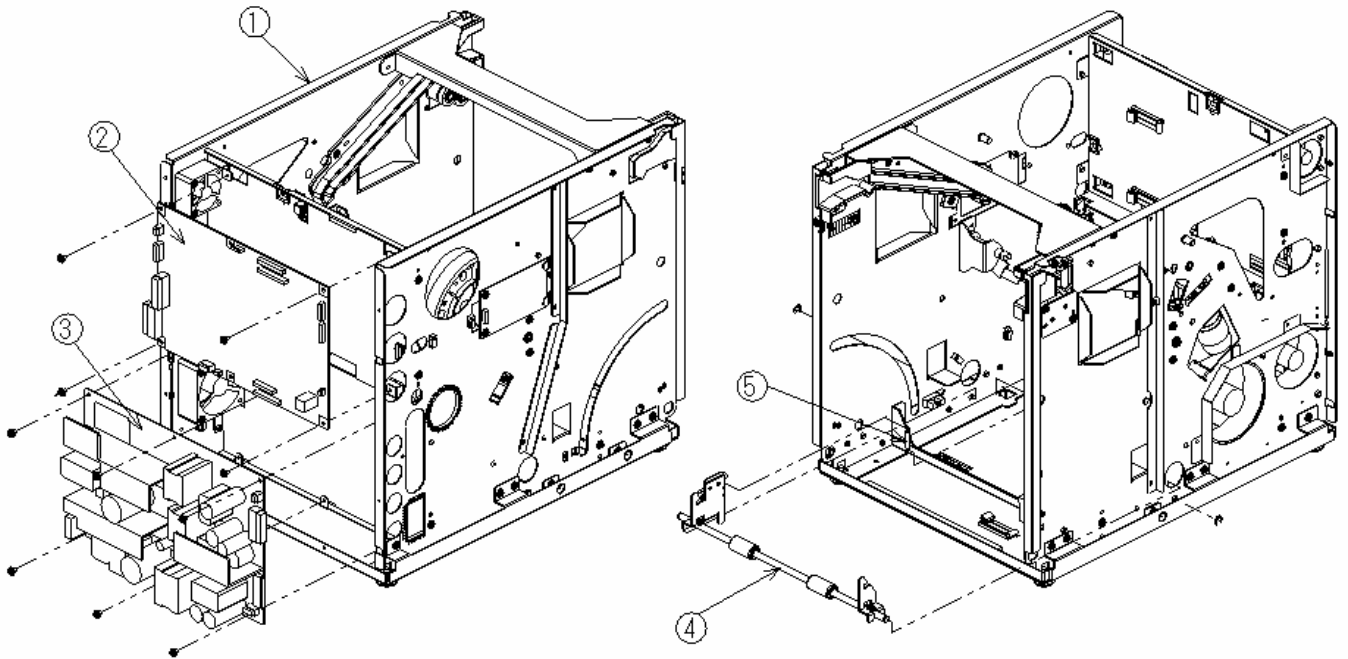
QTY	No.	Name	Part No.	Fasteners			Remarks MODEL
				Name	P/N	QTY	
1	1	Printer Unit	1641105001				
1	2	Front Cover Assy	1641109915	+screw	0701100001041	6	
1	3	Main Cover Assy	1641103811	+screw	ESWG-M3x6-CRF	5	
1	4	Gear Cover(R)	1641132967ES	+screw	ESWG-M3x6-CRF	4	
1	5	Gear Cover(L)	1641132968ES	+screw	ESWG-M3x6-CRF	4	

Name	Digital Photo Printer
Part Number	1641105000



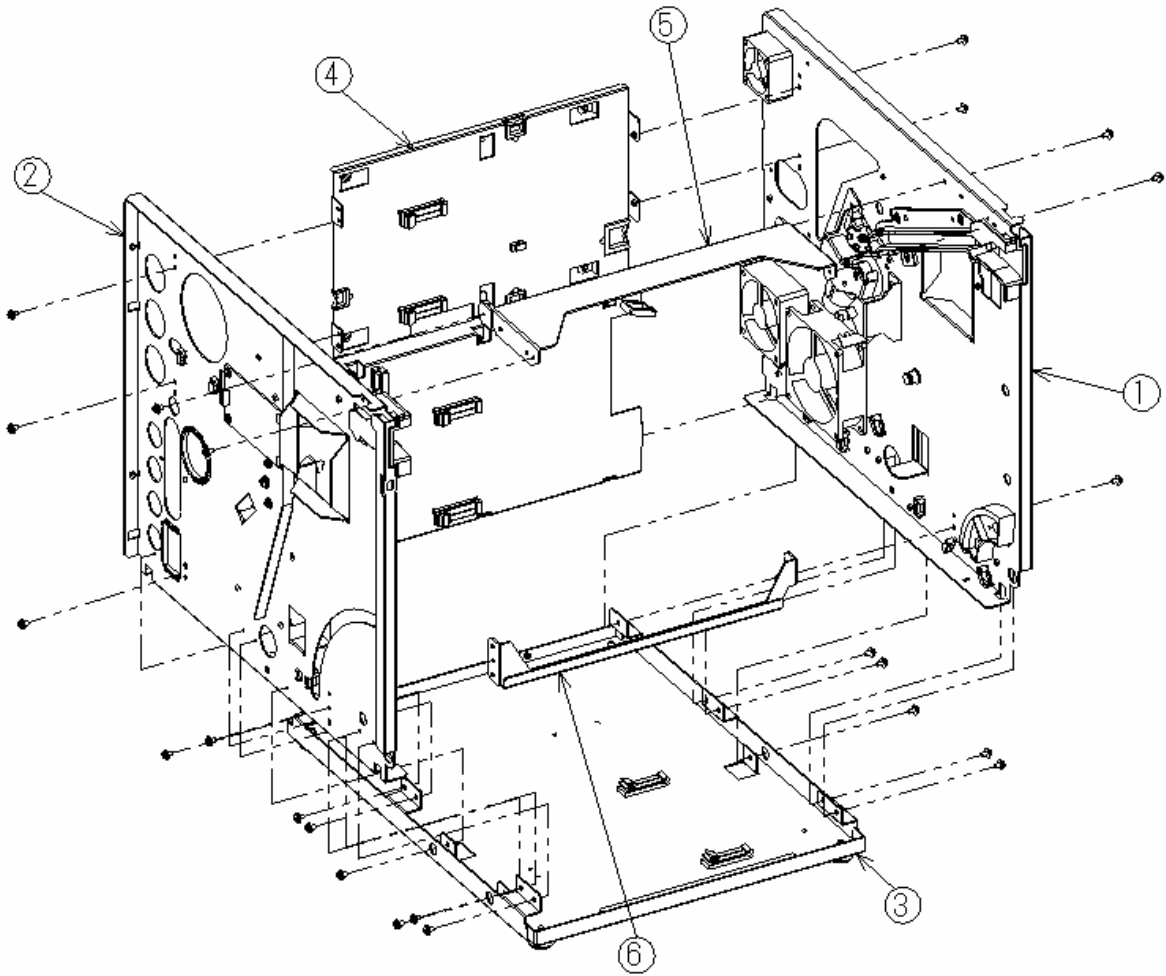
QTY	No.	Name	Part No.	Fasteners			Remarks
				Name	P/N	QTY	MODEL
1	1	Upper Unit	1641104980	E ring	STP-E6	2	
1	2	Engine Unit	1641104990	E ring	STP-E6	2	
				E ring	STP-E4	2	
1	3	Ribbon Frame Assy	1641104991				
1	4	Inlet Assy	1641104997	+screw	ESWG-M3x6-CRF	2	
1	5	Rear Frame Assy	1641105048	+screw	ESWG-M3x6-CRF	8	
1	6	Cam,Upper	1641115511	E ring	STP-E4	1	
1	7	Parallel Pin	PPH-2X12-SUS				
2	8	Bearing	060910937053ES				
2	9	Bearing	060930069				
2	10	Spring	0705701007051				
1	11	Spring	1641115550				
1	12	Spring	1641115550051				

Name	Printer Unit
Part Number	1641105001



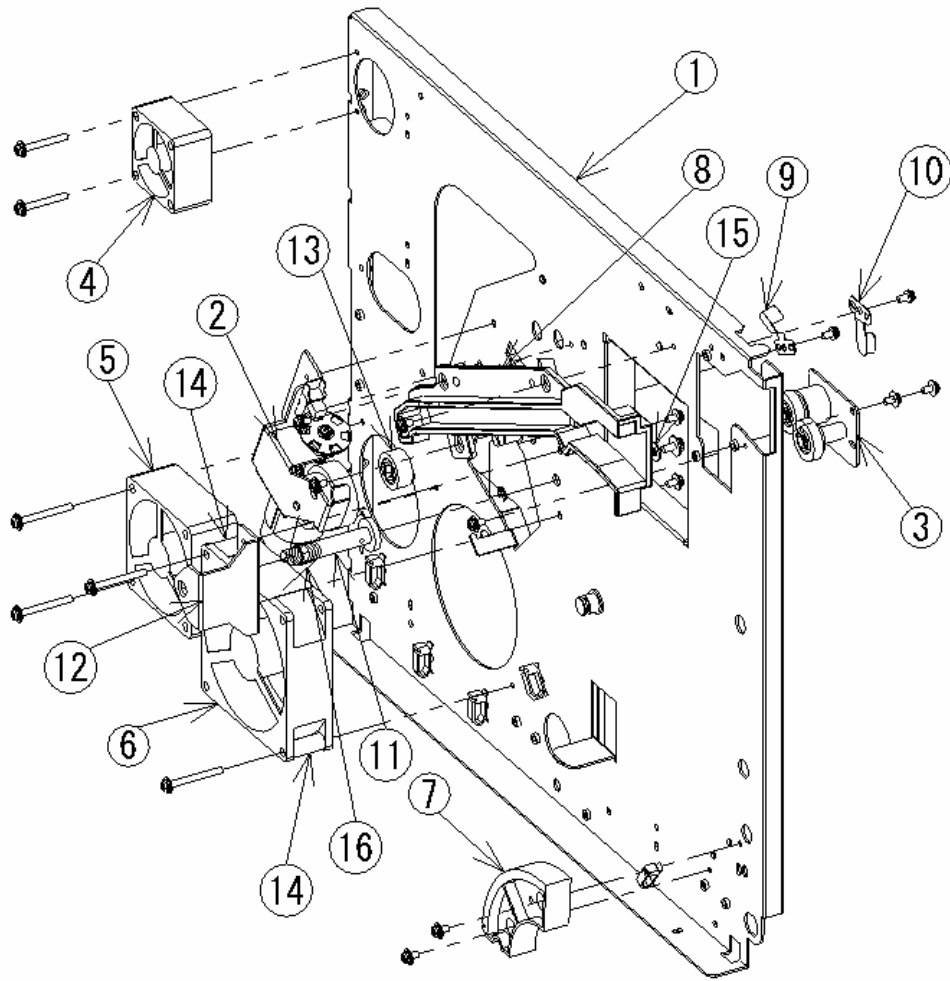
QTY	No.	Name	Part No.	Fasteners			Remarks
				Name	P/N	QTY	MODEL
1	1	Ribbon Frame Sub-Assy	1641104992				
1	2	HSSV8-CONT-F ASSY	1641109903	+screw	ESWG-M3x6-CRF	4	
1	3	DC Power Supply	1641109900	+screw	ESWG-M3x6-CRF	6	
1	4	Engine Lock Shaft Assy	1641104993	E ring	STP-E4	2	
1	5	Spring	060570115550				

Name	Ribbon Frame Assy
Part Number	1641104991



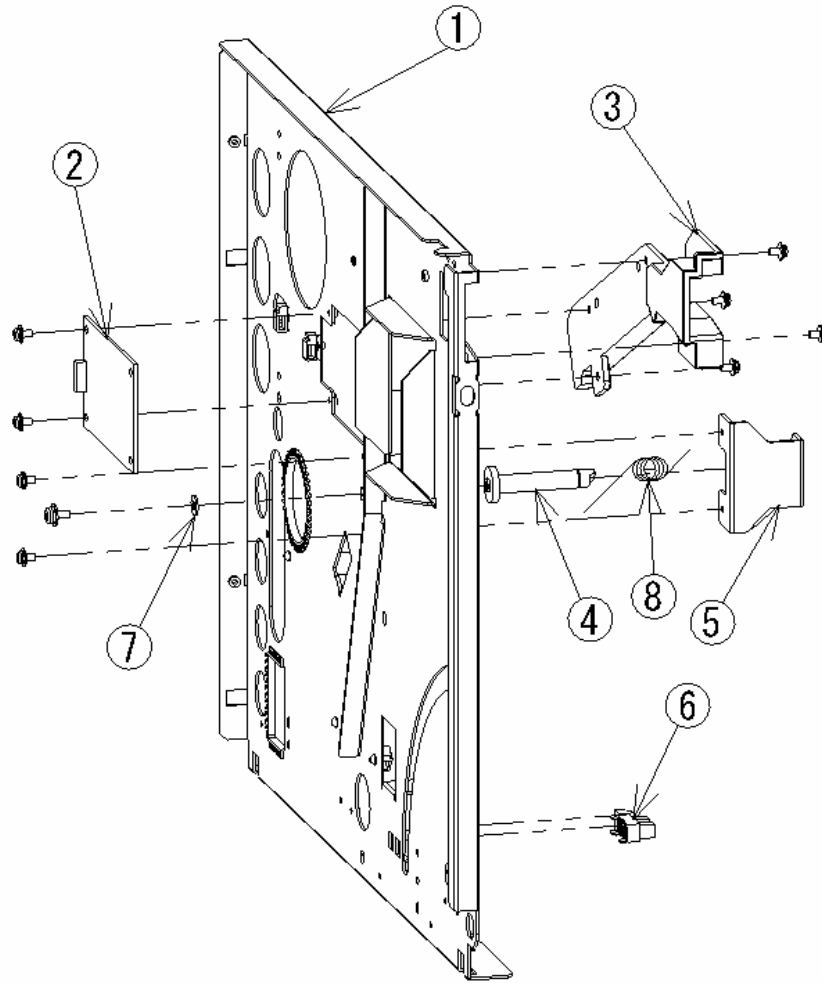
QTY	No.	Name	Part No.	Fasteners			Remarks
				Name	P/N	QTY	MODEL
1	1	Ribbon Frame(R) Assy	1641104995	+screw	ESWG-M3x6-CRF	6	
1	2	Ribbon Frame(L) Assy	1641104996	+screw	ESWG-M3x6-CRF	7	
1	3	Bottom Frame Assy	1641105046				
1	4	Partation Frame Assy	1641105049	+screw	ESWG-M3x6-CRF	6	
1	5	Top Frame	1641115460	+screw	ESWG-M3x6-CRF	4	
1	6	Reinforcement Frame	1641115538	+screw	ESWG-M3x6-CRF	2	

Name	Ribbon Frame Sub-Assy
Part Number	1641104992



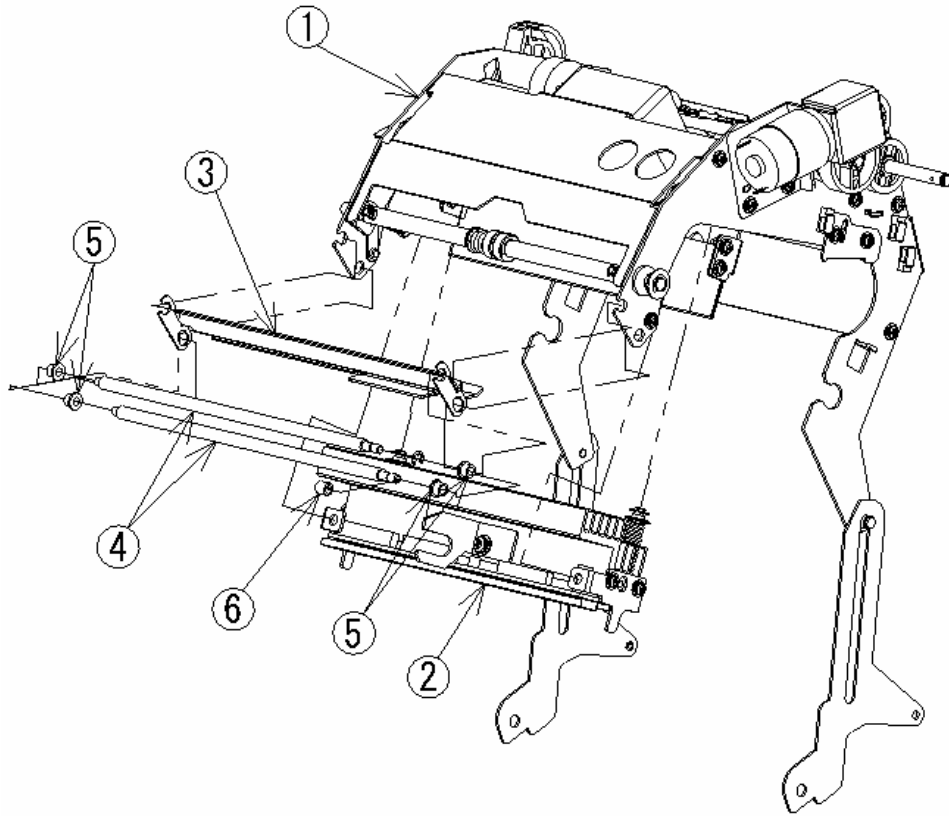
QTY	No.	Name	Part No.	Fasteners			Remarks
				Name	P/N	QTY	
1	1	Ribbon Frame(R)	1641115456				
1	2	DC Motor Assy (Ribbon Winding)	1641109909	+screw	ESWG-M3x6-CRF	2	
1	3	Ribbon Brake Assy	1641105002	+screw	ESWG-M3x6-CRF	2	
1	4	DC Fan	1641107026ES	+screw	ESWG-M3x25-CRF	2	
1	5	DC Fan	1641107005054	+screw	ESWG-M3x30-CRF	2	
1	6	DC Fan	060671092	+screw	ESWG-M3x30-CRF	2	
1	7	EngineOC Gear	1641115556	+screw	ESWG-M3x6-CRF	2	
1	8	Ribbon Guide Rail(R)	1641115466	+screw	ESWG-M3x6-CRF	4	
1	9	Spring Blade B	1641115534	+screw	ESWG-M3x6-CRF	1	
1	10	Spring Blade A	1641115533	+screw	ESWG-M3x6-CRF	1	
1	11	Upper Unit Stud	1641115465	+screw	ESWG-M4x8-CRF	1	
1	12	Support Stud	1641115606ES		ESWG-M3x6-CRF	2	
1	13	Gear18	060050320	E ring	STP-E4	1	
2	14	Collar	060260460056				
1	15	Washerr	EWP-4-CRF				
1	16	Spring	1641115284051				

Name	Ribbon Frame(R) Assy
Part Number	1641104995



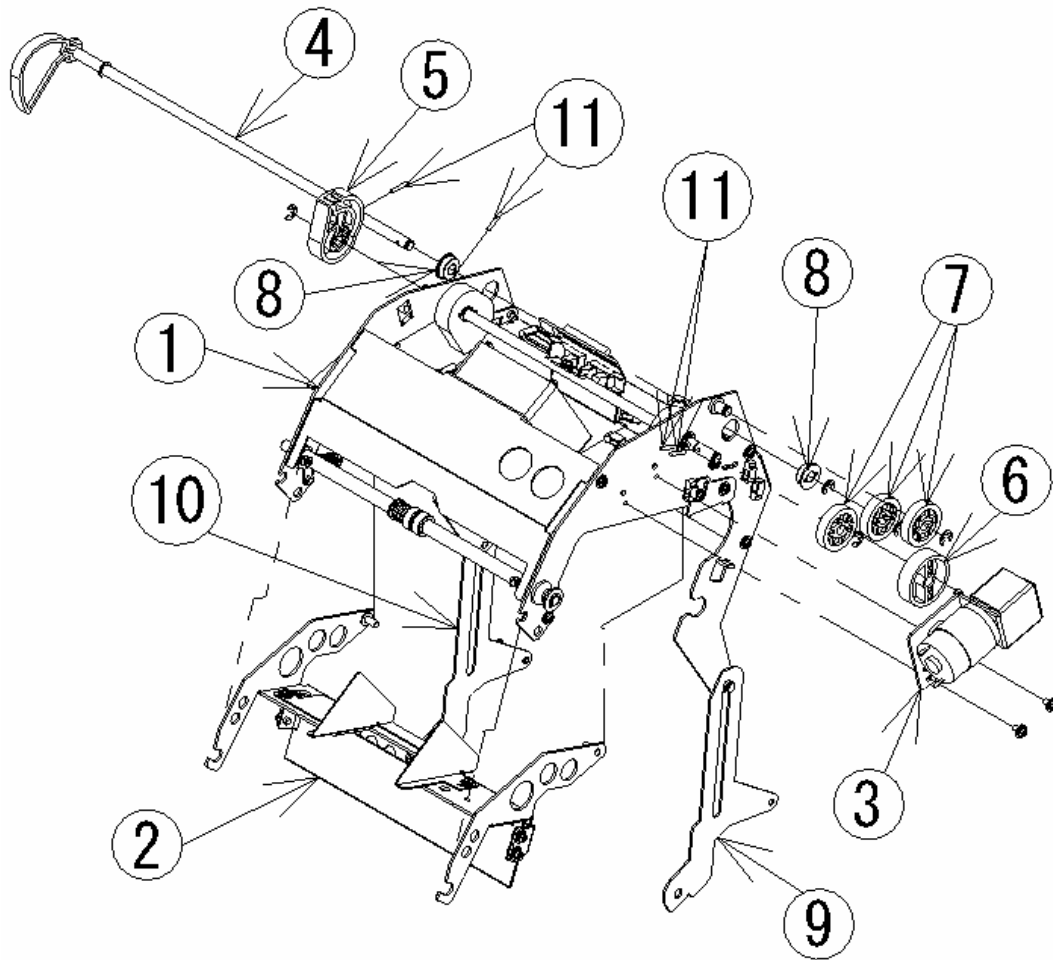
QTY	No.	Name	Part No.	Fasteners			Remarks
				Name	P/N	QTY	MODEL
1	1	Ribbon Frame(L)	1641115457				
1	2	RFID4-CONT-F-Assy	1641109904	+screw	ESWG-M3x6-CRF	2	
1	3	Ribbon Guide Rail(L)	1641115467	+screw	ESWG-M3x6-CRF	4	
1	4	Upper Unit Stud	1641115465	+screw	ESWG-M4x8-CRF	1	
1	5	Support Stud	1641115606ES		ESWG-M3x6-CRF	2	
1	6	Sensor(Cover Open)	ESNRRAY-T-012				
1	7	Washer	EWP-4-CRF				
1	8	Spring	1641115284				

Name	Ribbon Frame(L) Assy
Part Number	1641104996



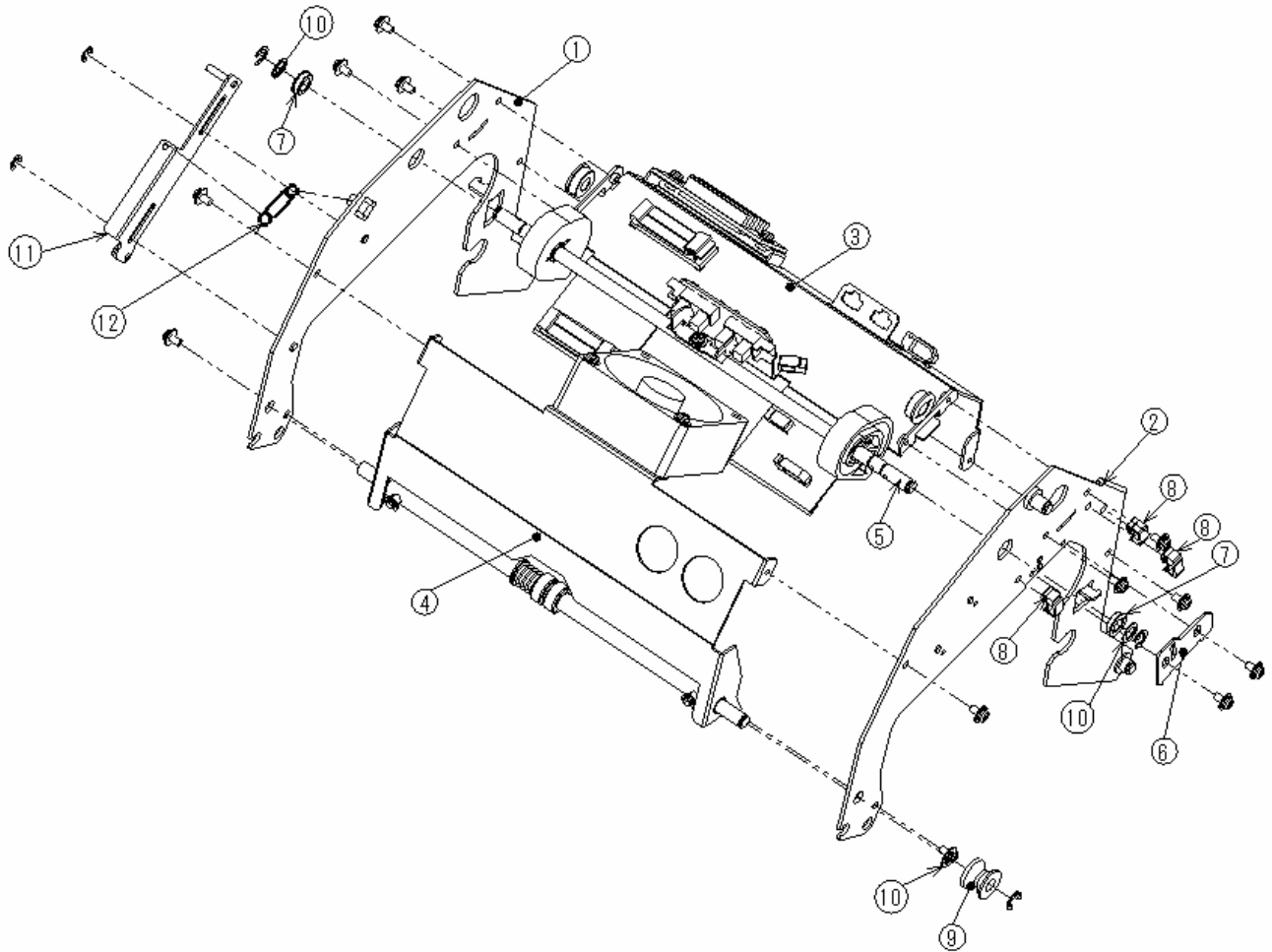
QTY	No.	Name	Part No.	Fasteners			Remarks
				Name	P/N	QTY	MODEL
1	1	Upper Frame Assy	1641104982				
1	2	Thermal Head Assy	1641109901				
1	3	Ribbon Guide Roller Holder Assy	1641104986				
2	4	Ribbon Guide Roller	1641115164	E ring	STP-E3	1	
4	5	Bearing	060910937061				
1	6	Clip	0706430004ES				

Name	Upper Unit
Part Number	1641104980



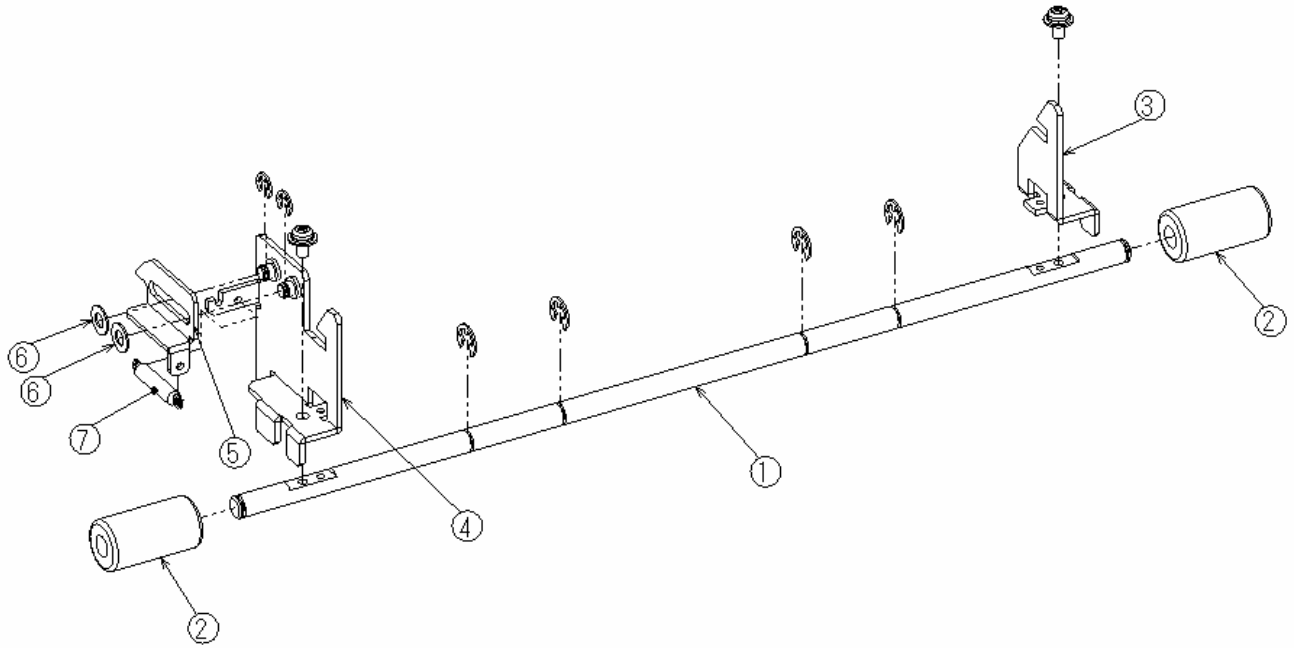
QTY	No.	Name	Part No.	Fasteners			Remarks
				Name	P/N	QTY	MODEL
1	1	Upper Frame Sub-Assy	1641104987				
1	2	Head Press Lever Assy	1641104985				
1	3	DC Motor Assy(Head)	1641109907	+screw	ESWG-M3x6-CRF	2	
1	4	Upper Cam Assy	1641105047	E ring	STP-E4	1	
4	5	Head Cam	1641115243	E ring	STP-E4	1	
1	6	Gear52	060050144	E ring	STP-E4	1	
3	7	Gear26	1641112007	E ring	STP-E4	3	
1	8	Bearing	0709109001057ES				
1	9	Upper Open Lever	1641115479	E ring	STP-E4	1	
1	10	Upper Open Lever	1641115479051	E ring	STP-E4	1	
4	11	Parallel Pin	PPH-2X12-SUS				

Name	Upper Frame Assy
Part Number	1641104982



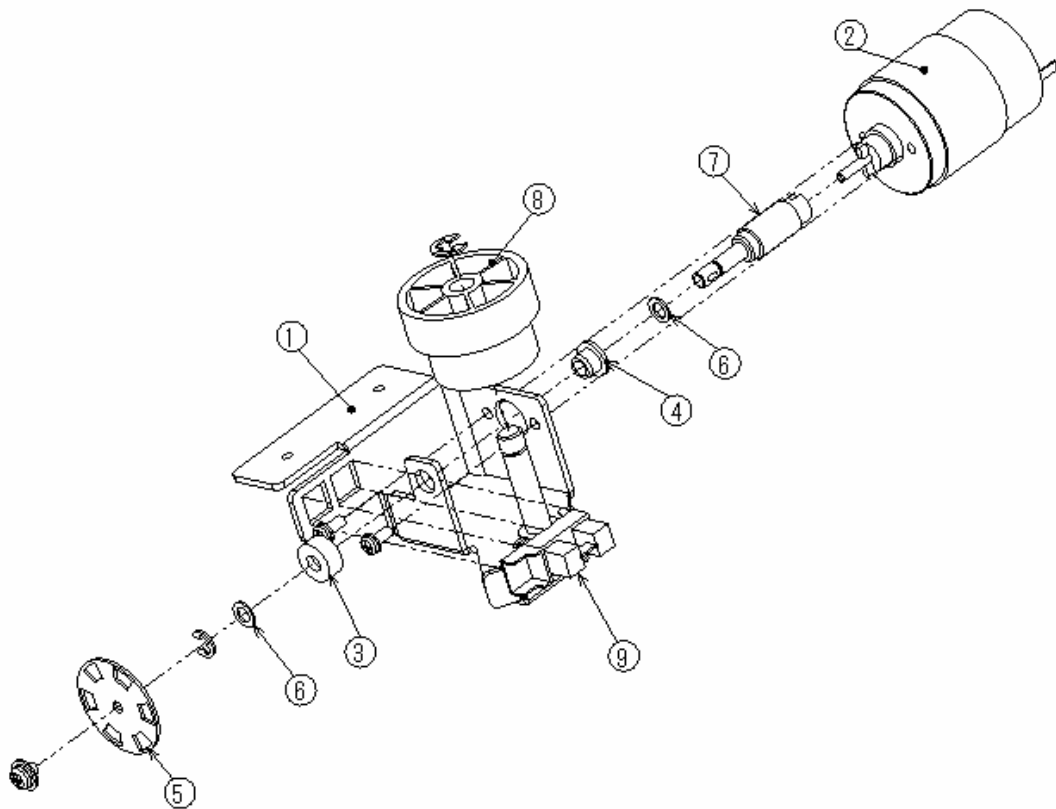
QTY	No.	Name	Part No.	Fasteners			Remarks
				Name	P/N	QTY	MODEL
1	1	Upper Frame(L)	1641115476	+screw	ESWG-M3x6-CRF	5	
1	2	Upper Frame(R)	1641115477	+screw	ESWG-M3x6-CRF	5	
1	3	Upper Frame(Center)	1641105045				
1	4	Head Fulcrum Assy	1641105003				
1	5	Head Cam Assy	1641104984				
1	6	Ribbon Plate Assy	1641105043	+screw	ESWG-M3x6-CRF	2	
2	7	Bearing	0709109001055ES	E ring	STP-E4	2	
3	8	Mini Clamp	060648060				
1	9	Adjust Collar	1641115258	E ring	STP-E4	1	
1	10	Washer	060930012076				
1	11	Upper Open Lever	1641115496	E ring	STP-E3	2	
1	12	Spring	0709170032				

Name	Upper Frame Sub-Assy
Part Number	1641104987



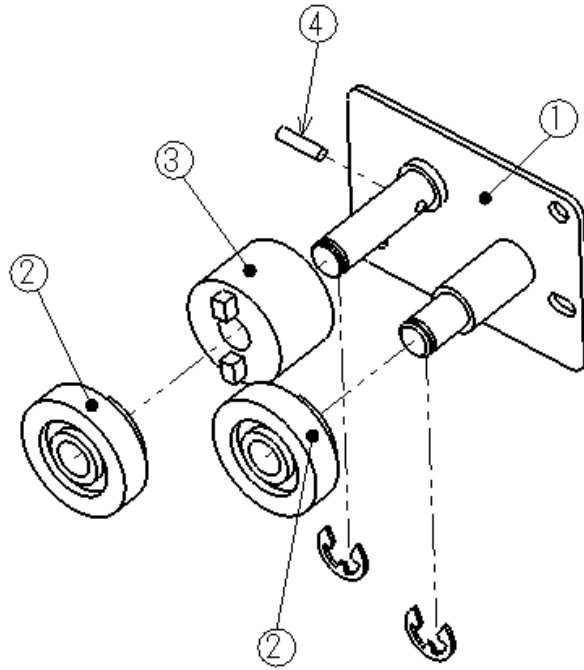
QTY	No.	Name	Part No.	Fasteners			Remarks
				Name	P/N	QTY	MODEL
1	1	Engine Lock Shaft	1641115543				
2	2	Guide Roller	1641113018	E ring	STP-E4	4	
1	3	Engine Lock Lever(R)	1641115544	+screw	ESWG-M3x6-CRF	1	
1	4	Engine Lock Lever(L)	1641115545	+screw	ESWG-M3x6-CRF	1	
1	5	Engine Lock Lever(Slide)	1641115549	E ring	STP-E3	2	
2	6	Washer	060150400020				
1	7	Spring	060570115534				

Name	Engine Lock Shaft Assy
Part Number	1641104993



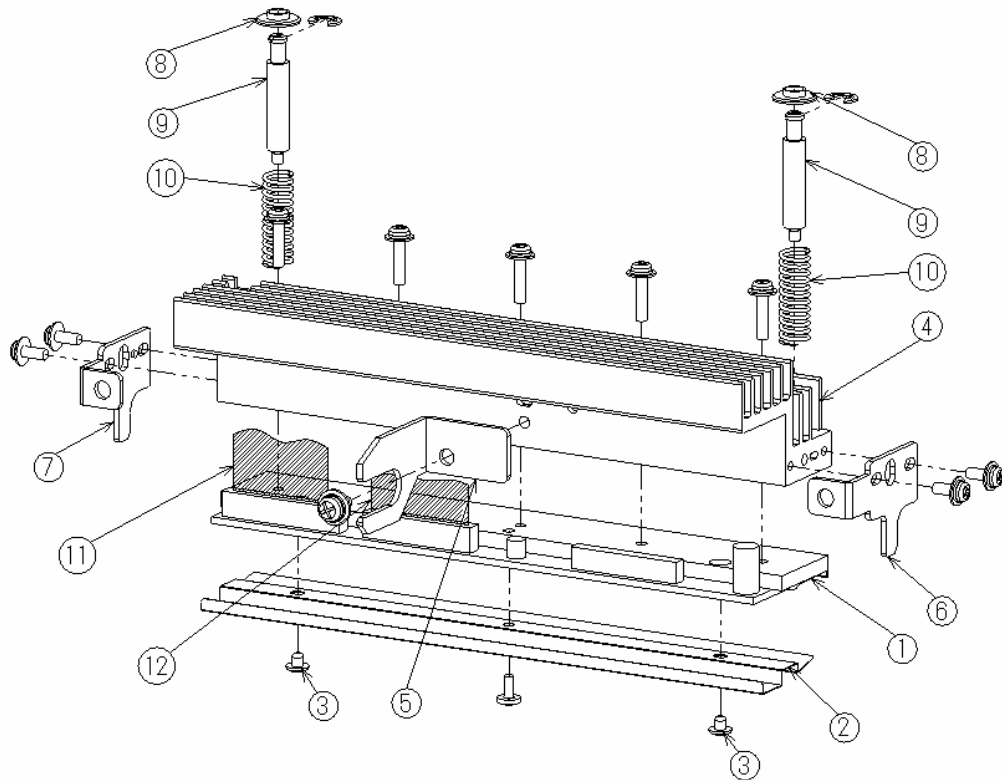
QTY	No.	Name	Part No.	Fasteners			Remarks
				Name	P/N	QTY	MODEL
1	1	Ribbon Motor Holder	1641115470				
1	2	DC Motor Assy	1641102992056	+screw	ESWC-M2.6x6-CRF	2	
1	3	Stopper, Axis (Worm)	1641115188				
1	4	Flange Bush	060930080051				
1	5	Encode Plate6	1641115235	+screw	ESWG-M3x4-CRF	1	
1	6	Washer	060930012067				
1	7	Gear (Worm)	1641105009	E ring	STP-E3	1	
1	8	Gear25/52	0700501005	E ring	STP-E4	1	
1	9	Sensor(Encode)	ESNRRAY-T-012				

Name	DC Motor Assy(RibbonWinding)
Part Number	1641109909



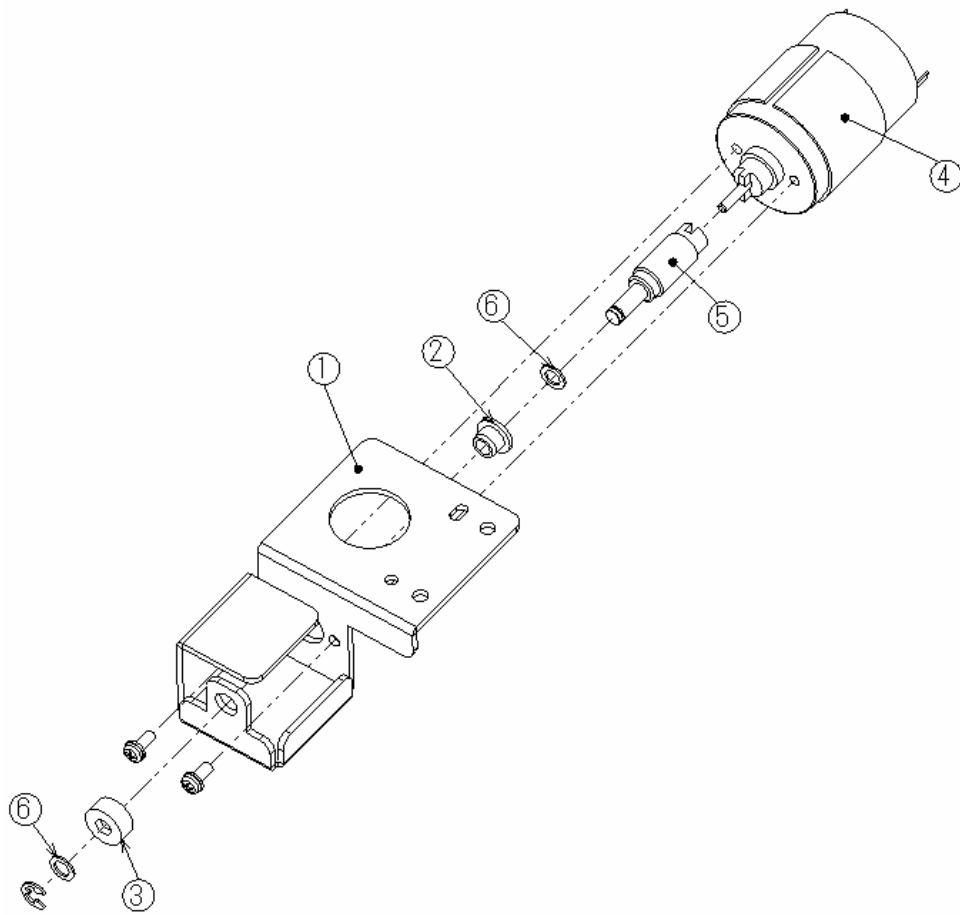
QTY	No.	Name	Part No.	Fasteners			Remarks
				Name	P/N	QTY	MODEL
1	1	Ribbon Brake Holder	1641115532				
2	2	Gear18	0700501009	E ring	STP-E4	2	
1	3	Torque Limiter	0709139002071				
1	4	Parallel Pin	PPH-2X8-SUS				

Name	Ribbon Brake Assy
Part Number	1641105002



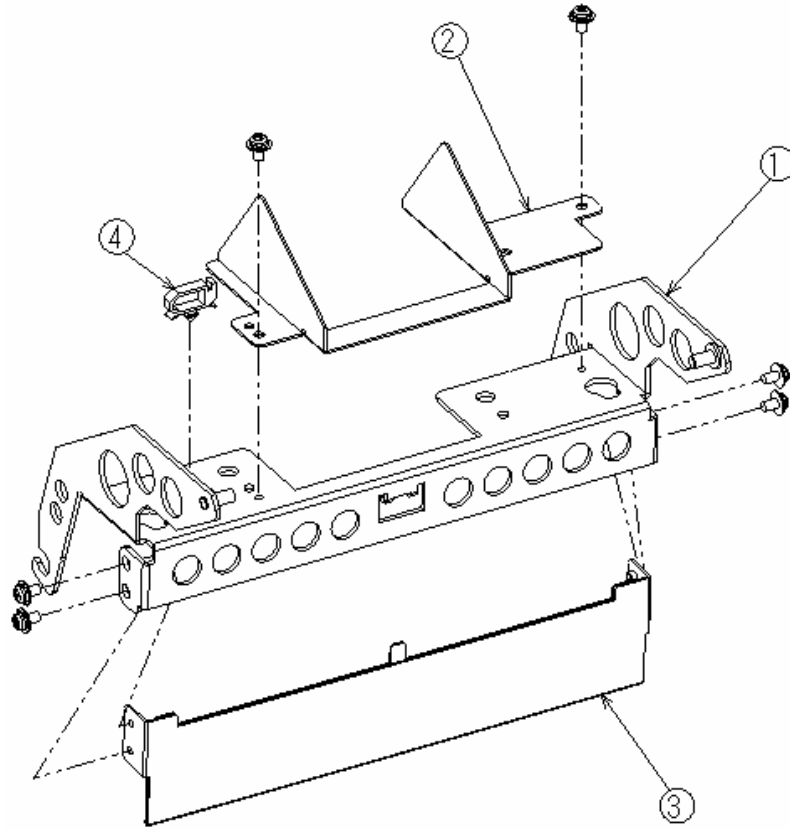
QTY	No.	Name	Part No.	Fasteners			Remarks
				Name	P/N	QTY	MODEL
1	1	Thermal Head	0707000012				
1	2	IC Cover	1641105039	+screw	SCB-M3x6-C	1	
2	3	Bush Rivet	060913325				
1	4	Heat sink	1641115207	+screw	ESWG-M3x14-CRF	5	
1	5	Head Bracket	1641115178	+screw	ESWG-M4x8-CRF	1	
1	6	Head Adjust Plate	1641115464	+screw	ESWG-M3x8-CRF	2	
1	7	Head Adjust Plate	1641115464051	+screw	ESWG-M3x8-CRF	2	
2	8	Head Press Collar	1641115179	E ring	STP-E4	2	
2	9	Head Spring Shaft	1641115180				
1	10	Spring	0705704004057				
1	11	Wire	0705890005ES				
1	12	Wire	0705890006ES				

Name	Thermal Head Assy
Part Number	1641109901



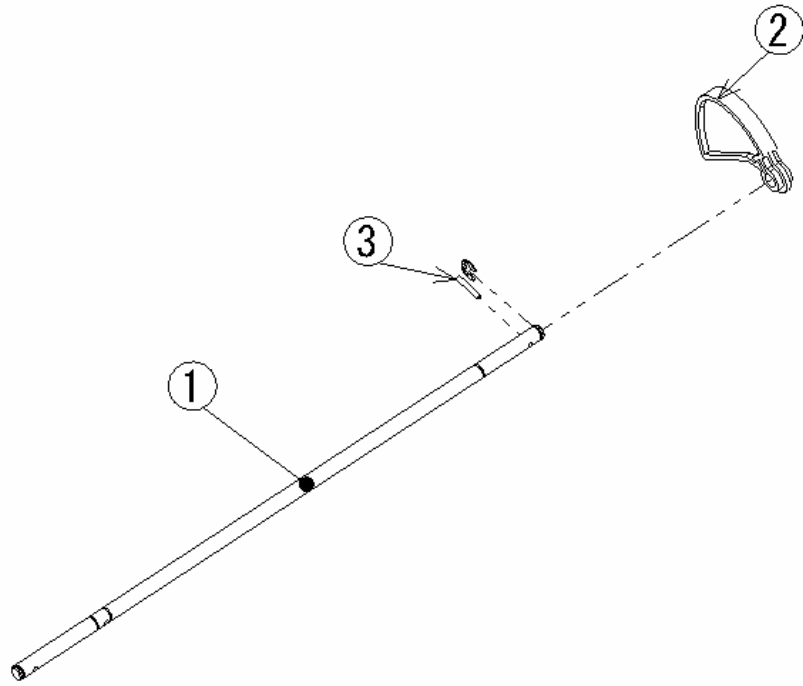
QTY	No.	Name	Part No.	Fasteners			Remarks
				Name	P/N	QTY	MODEL
1	1	Head Motor Holder	1641115185				
1	2	Flange Bush	060930080051				
1	3	Stopper, Axis (Worm)	1641115188				
1	4	DC Motor Assy	1641102992055	+screw	ESWC-M2.6x6-CRF	2	
1	5	Gear (Worm)	1641104064	E ring	STP-E3	1	
1	6	Washer	060930012067				

Name	DC Motor Assy(Head)
Part Number	1641109907



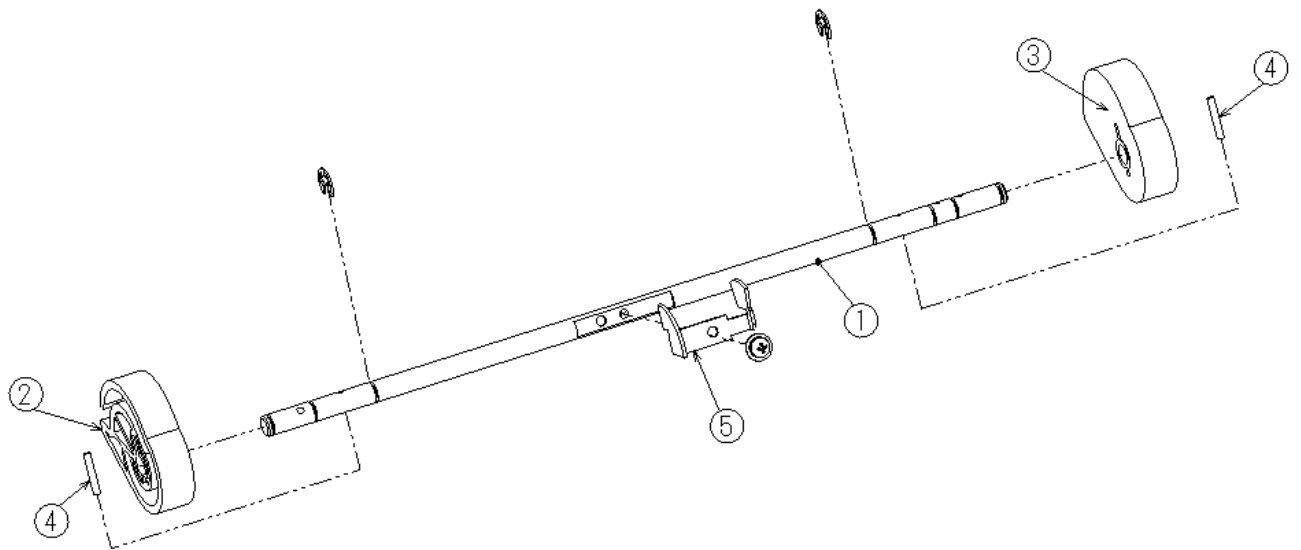
QTY	No.	Name	Part No.	Fasteners			Remarks
				Name	P/N	QTY	MODEL
1	1	Head Press Lever	1641115461				
1	2	Head Fan Hood	1641115500	+screw	ESWC-M3x4-CRF	2	
1	3	Separate Plate	1641105121	+screw	ESWC-M3x6-CRF	4	
1	4	Mini Clamp	060648060051				

Name	Head Press Lever Assy
Part Number	1641104985



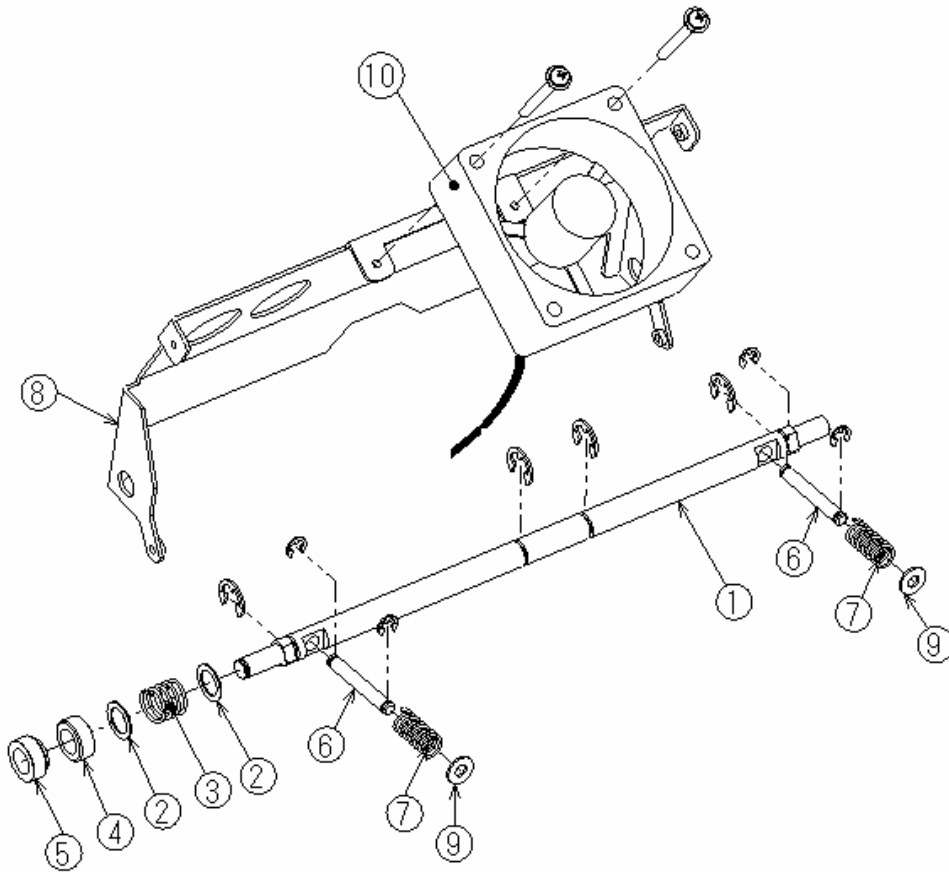
QTY	No.	Name	Part No.	Fasteners			Remarks
				Name	P/N	QTY	MODEL
1	1	Upper Cam Shaft	1641115472				
1	2	Upper Cam	1641115511	E ring	STP-E4	1	
1	3	Parallel Pin	PPH-2x12-SUS				

Name	Upper Cam Shaft Assy
Part Number	1641105047



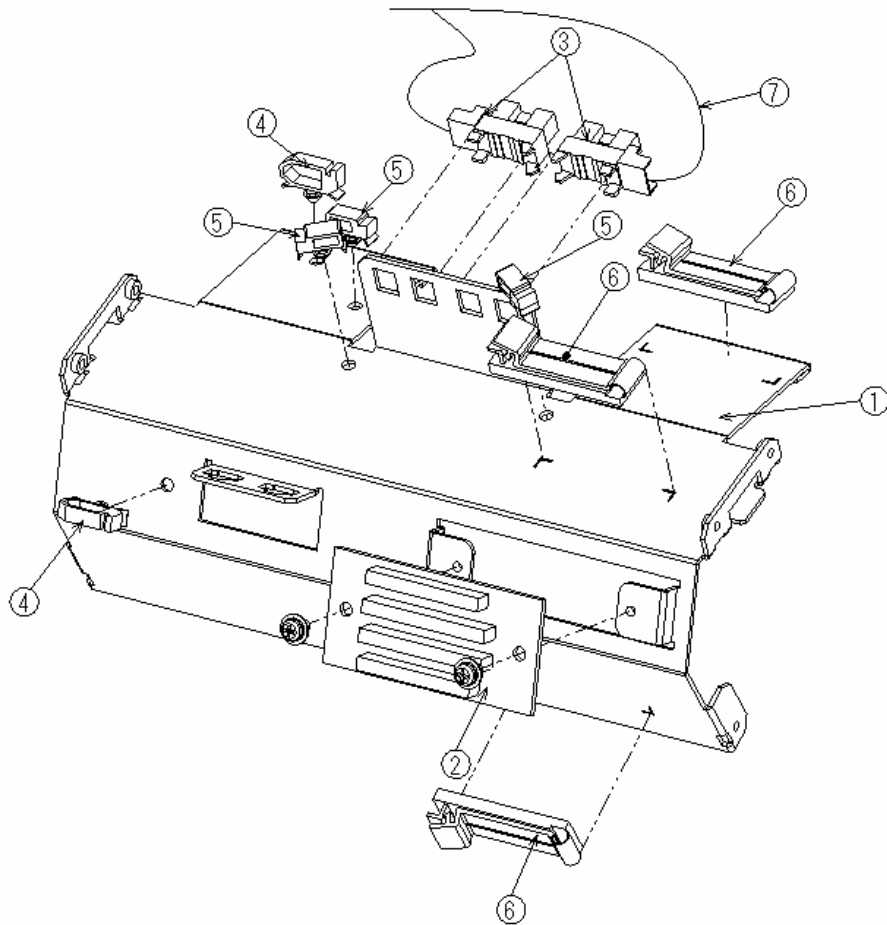
QTY	No.	Name	Part No.	Fasteners			Remarks
				Name	P/N	QTY	MODEL
1	1	Head Cam Shaft	1641115573				
1	2	Head Cam	1641115243	E ring	STP-E4	1	
1	3	Head Cam	1641115243051	E ring	STP-E4	1	
2	4	Parallel Pin	PPH-2x12-SUS				
1	5	Head Sensor Plate	1641115192	+screw	ESWG-M3x6-CRF	1	

Name	Head Cam Shaft Assy
Part Number	1641104984



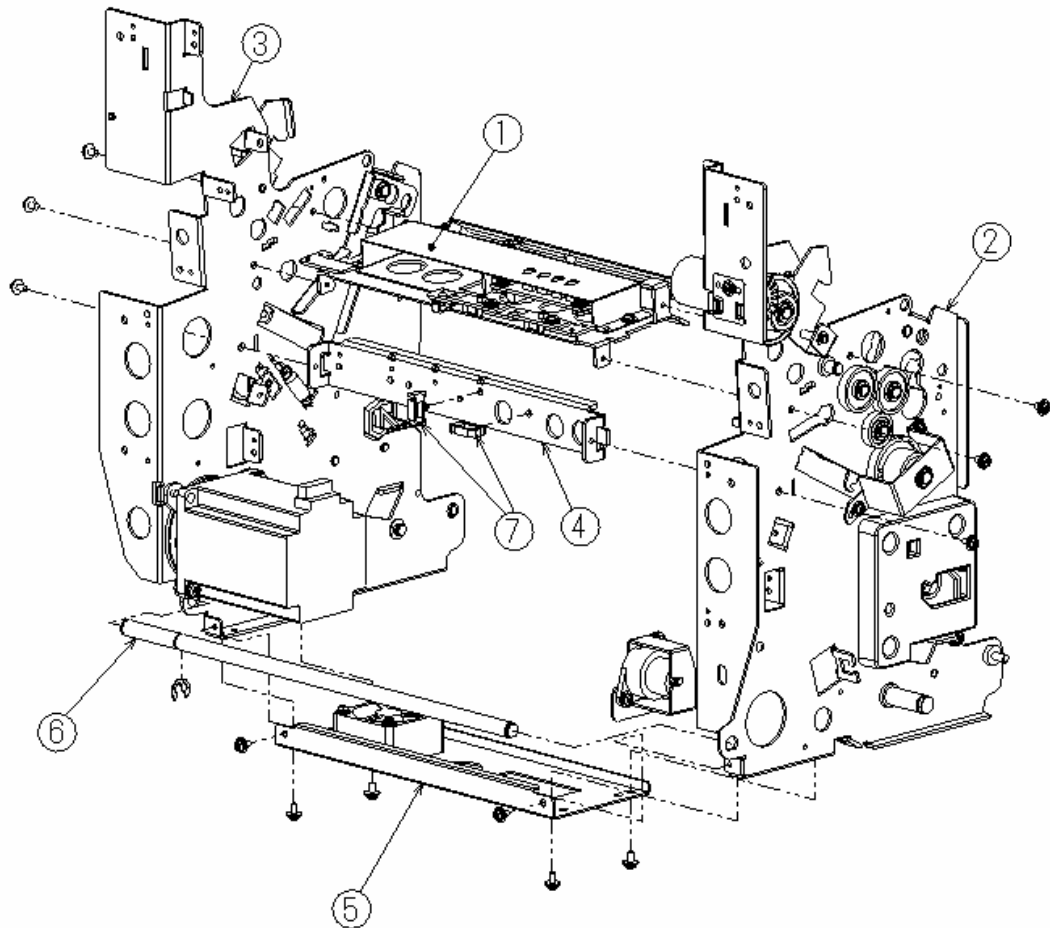
QTY	No.	Name	Part No.	Fasteners			Remarks
				Name	P/N	QTY	MODEL
1	1	Head Fulcrum Shaft	1641115509	E ring	STP-E6	4	
2	2	Washer	060150800025				
1	3	Spring	060570413054				
1	4	Head Fulcrum Collar L	1641115163				
1	5	Head Fulcrum Collar R	1641115162				
2	6	Clip Shaft	0701700003	E ring	STP-E3	4	
2	7	Spring	0705704004058				
1	8	Upper Reinforcement Frame	1641115497				
2	9	Washer	EWP-4-CRF				
1	10	DC Fan(Head)	1641107005053	+screw	ESWG-M3x30-CRF	2	

Name	Head Fulcrum Assy
Part Number	1641105003



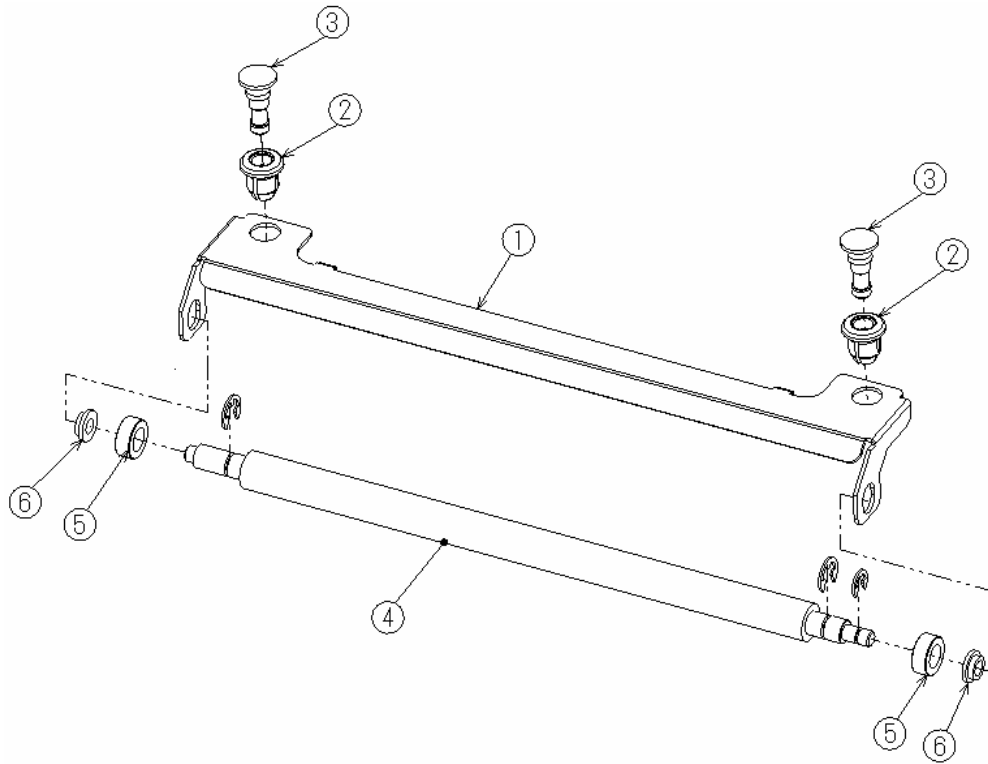
QTY	No.	Name	Part No.	Fasteners			Remarks
				Name	P/N	QTY	MODEL
1	1	Upper Frame(Center)	1641115478				
1	2	HSSV8-HDJ-F Assy	1609001523ES	+screw	ESWG-M3x6-CRF	2	
2	3	Sensor(Head)	ESNRRAY-T-012				
2	4	Mini Clamp	060648060051				
3	5	Mini Clamp	060648060				
3	6	Flat Clip	0706430003ES				
1	7	Wire	0705850103ES				

Name	Upper Frame(Center) Assy
Part Number	1641105045



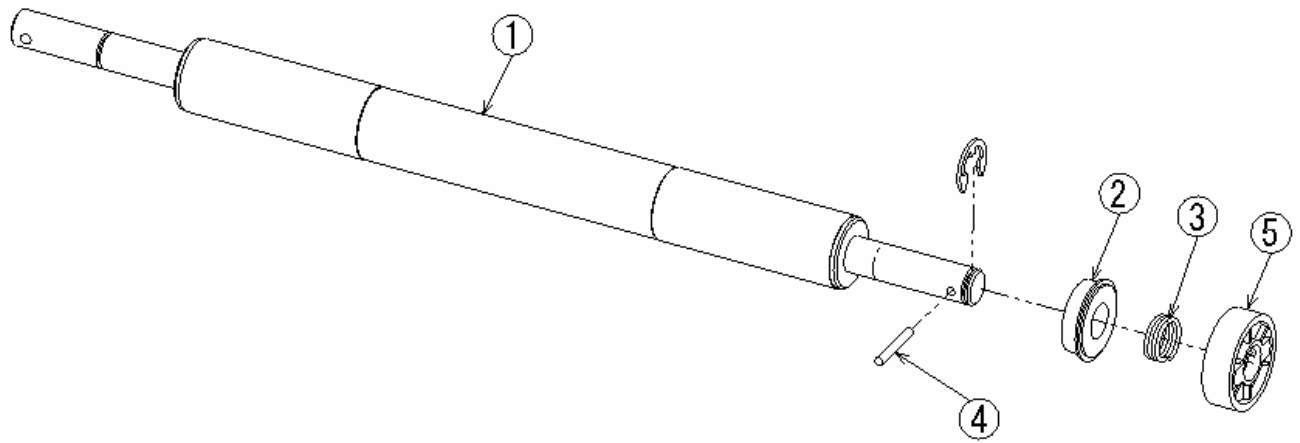
QTY	No.	Name	Part No.	Fasteners			Remarks
				Name	P/N	QTY	MODEL
1	1	Joint Center Assy	1641104959	+screw	ESWG-M3x6-CRF	4	
1	2	Engine Frame(R) Assy	1641104961				
1	3	Engine Frame(L) Assy	1641104962				
1	4	Joint Front	1641115486	+screw	ESWG-M3x6-CRF	2	
1	5	Joint Rear Assy	1641105038	+screw	ESWG-M3x6-CRF	6	
1	6	Hinge Shaft	1641115455	E ring	STP-E6		
2	7	Mini Clamp	060648060051				

Name	Engine Frame Assy
Part Number	1641104960



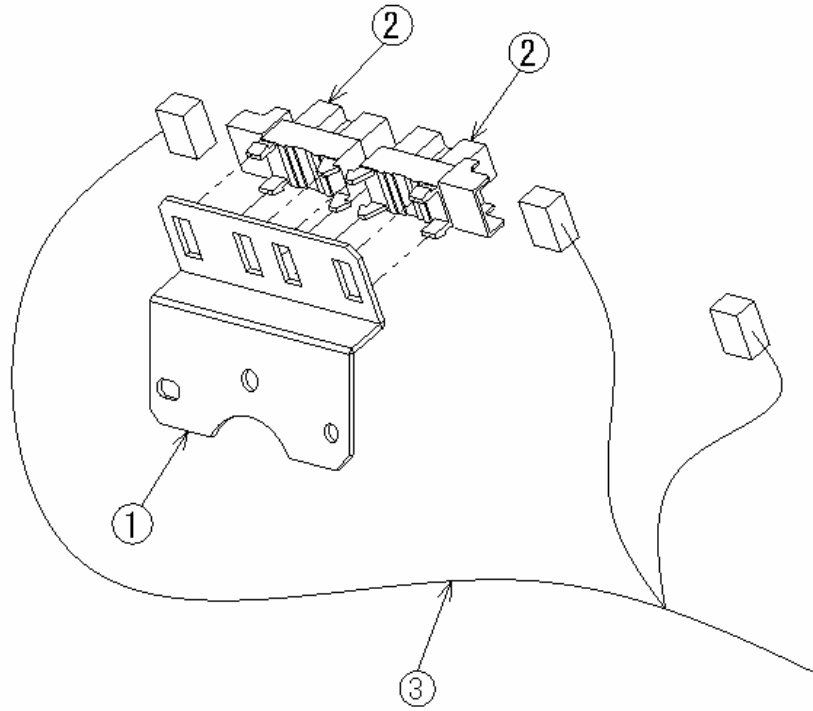
QTY	No.	Name	Part No.	Fasteners			Remarks
				Name	P/N	QTY	MODEL
1	1	Cleaning Roller Holder	1641115499				
2	2	Latch	060913235				
2	3	Latch	060913236051				
1	4	Cleaning Roller	1641115501	E ring	STP-E3	1	
2	5	Guide Roller	1641115502	E ring	STP-E4	2	
1	6	Bearing	060910937060ES				

Name	Cleaning Roller Assy
Part Number	1641109912



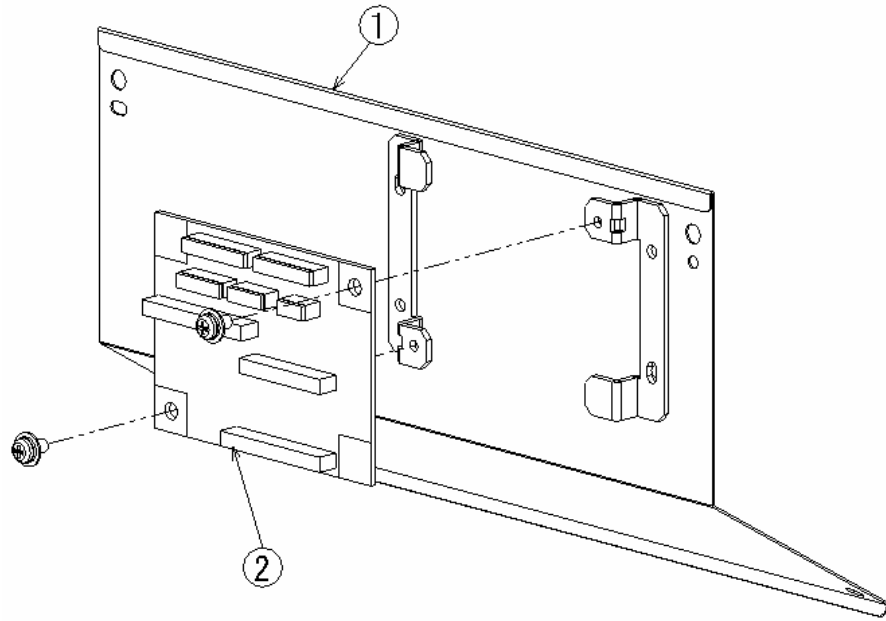
QTY	No.	Name	Part No.	Fasteners			Remarks
				Name	P/N	QTY	MODEL
1	1	Feed Roller	1641115522				
1	2	Bearing	060910115				
1	3	Spring	0605704118057				
1	4	Parallel Pin	PPH-2x14-SUS				
1	5	Gear43	060050327ES	E ring	STP-E6	1	

Name	Feed Roller Assy
Part Number	1641104971



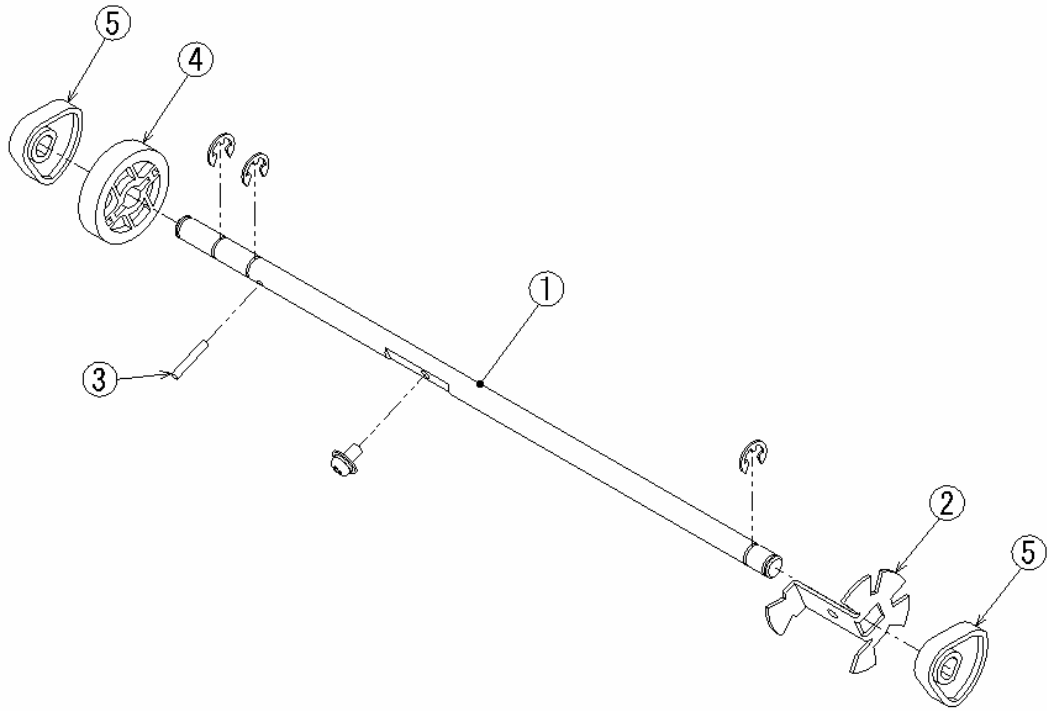
QTY	No.	Name	Part No.	Fasteners			Remarks
				Name	P/N	QTY	MODEL
1	1	Pinch-Sensor Holder	1641115487				
2	2	Sensor(Pinch Position)	ESNRRAY-T-012				
1	3	Wire	0705850100ES				

Name	Position Sensor Assy
Part Number	1641104976



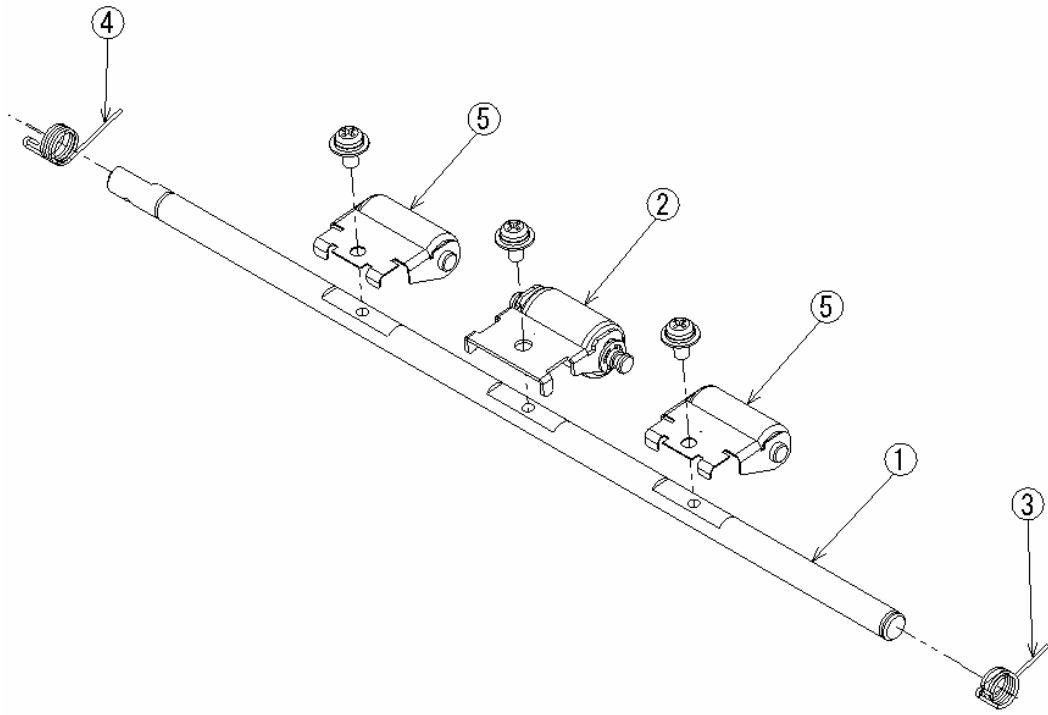
QTY	No.	Name	Part No.	Fasteners			Remarks
				Name	P/N	QTY	MODEL
1	1	Paper Guide(Back)	1641115454				
2	2	HSSV8-JUNCTION-F Assy	1609001497ES	+screw	ESWG-M3x6-CRF	2	

Name	Paper Guide(Back) Assy
Part Number	1641104977



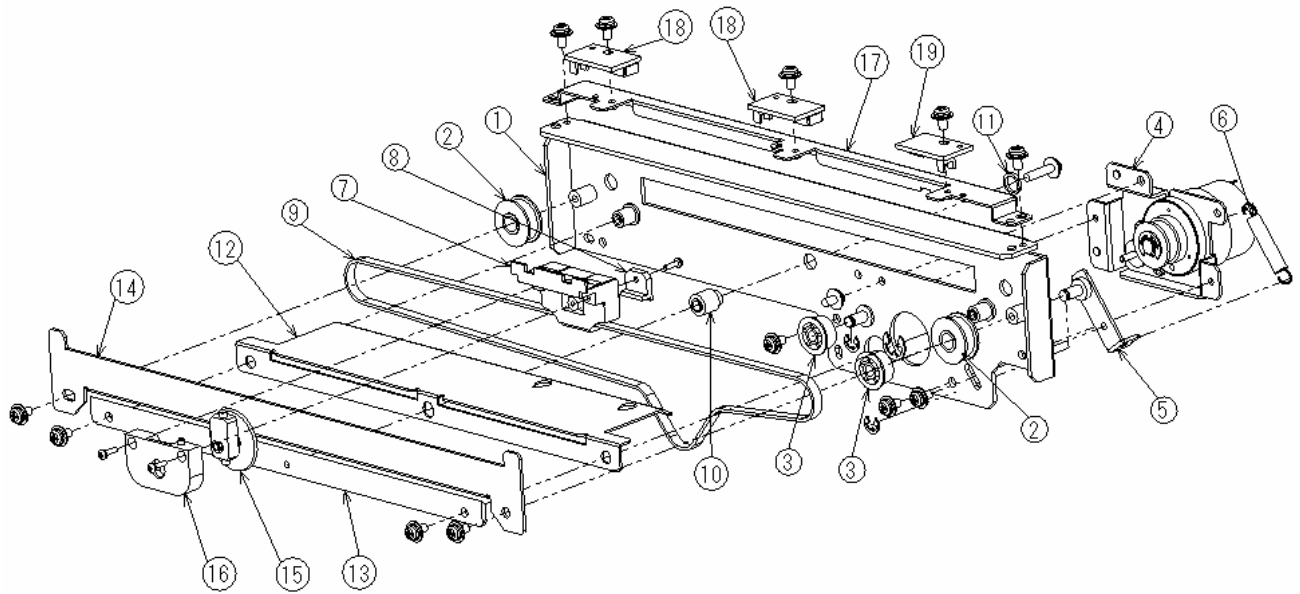
QTY	No.	Name	Part No.	Fasteners			Remarks
				Name	P/N	QTY	MODEL
1	1	Pinch Cam Shaft	1641115616ES				
1	2	Position Sensor Plate	1641115490	+screw	ESWG-M3x6-CRF	1	
1	3	Parallel Pin	PPH-2x12-SUS				
1	4	Gear26	1641112007	E ring	STP-E4	1	
2	5	Pinch Roller Cam	1641115257	E ring	STP-E4	2	

Name	Pinch Cam Shaft Assy
Part Number	1641104978



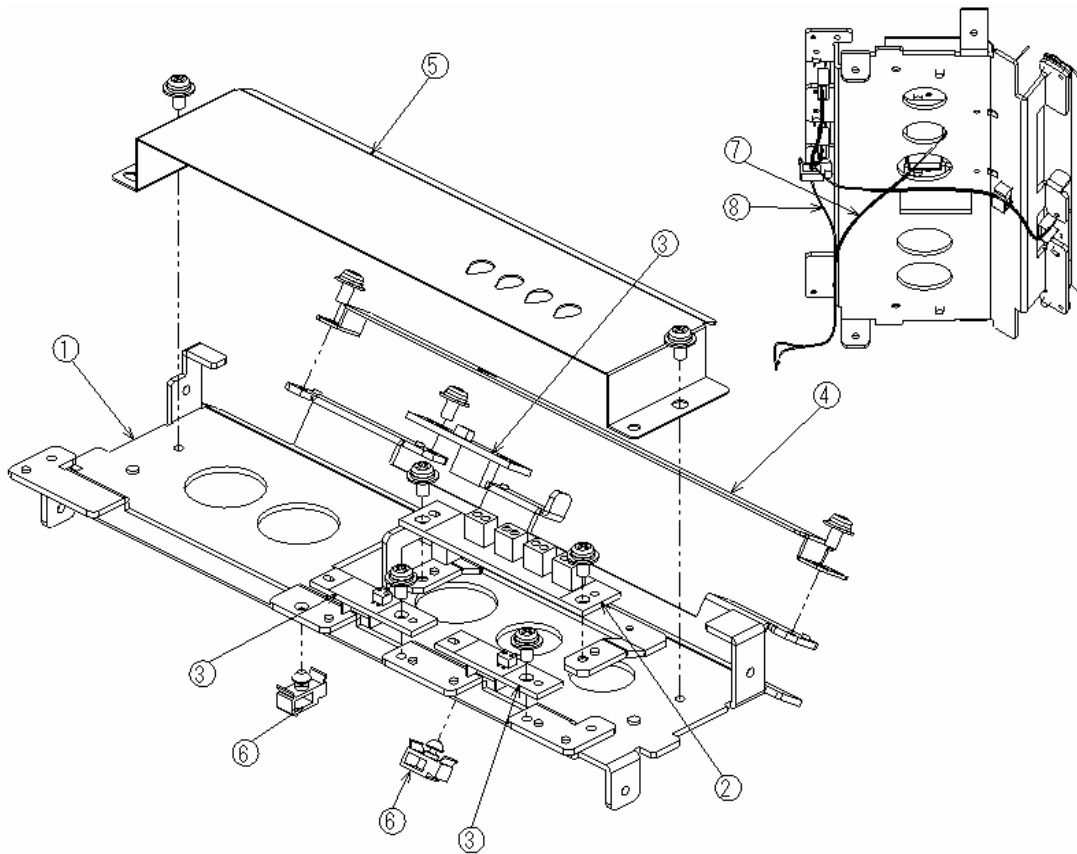
QTY	No.	Name	Part No.	Fasteners			Remarks
				Name	P/N	QTY	MODEL
1	1	Feed Pinch Shaft	1641115439				
2	2	Feed Pinch Roller Assy	1641104507	+screw	ESWG-M3x6-CRF	1	
1	3	Spring	1641114005				
1	4	Spring	1641114005051				
2	5	Ejection Pinch Assy	1641104510	+screw	ESWG-M3x6-CRF	2	

Name	Feed Pinch Shaft Assy
Part Number	1641104979



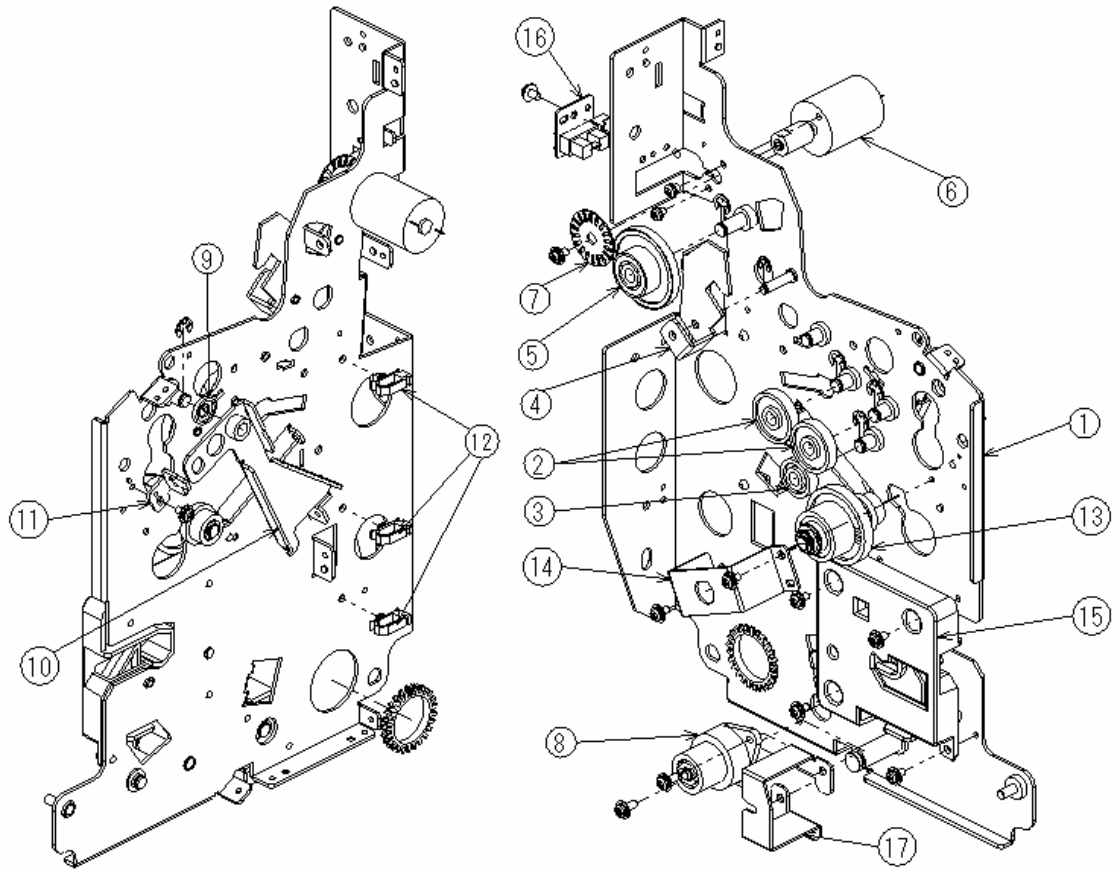
QTY	No.	Name	Part No.	Fasteners			Remarks
				Name	P/N	QTY	MODEL
1	1	Cutter Frame	1641115436				
2	2	Timing Pulley24	060017122				
2	3	Tension Pulley	1641112910	E ring	STP-E3		
1	4	Cutter Motor Assy	1641104988	+screw	ESWG-M3x6-CRF	3	
1	5	Tension Pulley Plate	1641115535	+screw	ESWG-M3x6-CRF	1	
1	6	Spring	060570115075				
1	7	Cutter Slider	1641115442				
1	8	Belt Plate	1641115504	+screw (P-tite)	0701100001003	1	
1	9	Timing Belt	060911808250				
1	10	Cutter Spacer	1641115482	+screw	ESWG-M3x14-CRF	1	
1	11	Collar	070260601053ES				
1	12	Cutter Guide(Lower)	1641115440				
1	13	Cutter	1641115200	+screw	ESWG-M3x6-CRF	2	
1	14	Guide Carrier	1641115441	+screw	ESWG-M3x6-CRF	2	
1	15	Rotary Cutter Sub Assy	1641104183057				
1	16	Cutter Holder	1641112924	+screw (P-tite)	0701100001003	2	
1	17	Cutter Sensor Holder	1641115505	+screw	ESWG-M3x6-CRF	2	
2	18	HSSV8-CUT/ENC-F Assy	1609001487ES	+screw	ESWG-M3x6-CRF	2	
1	19	HSSV8-CUTR-F Assy	1609001529ES	+screw	ESWG-M3x6-CRF	1	

Name	Cutter Unit
Part Number	1641109902



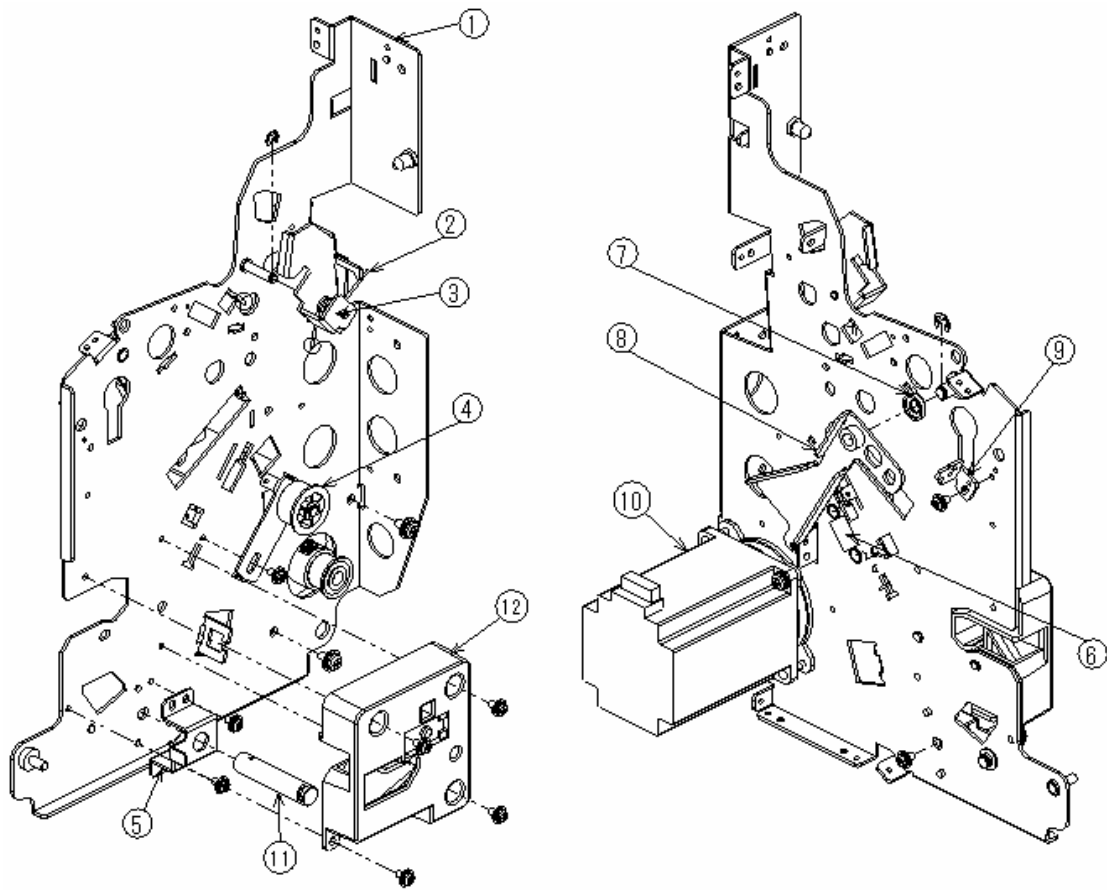
QTY	No.	Name	Part No.	Fasteners			Remarks
				Name	P/N	QTY	MODEL
1	1	Joint Center	1641115449				
1	2	HSSV8-RBN-F Assy	1641109906	+screw	ESWG-M3x6-CRF	2	
3	3	HSS-SEN-F Assy	1609001454ES	+screw	ESWG-M3x6-CRF	3	
1	4	Guide Main Feed Roller	1641115446	+screw	ESWG-M3x6-CRF	2	
1	5	Guide Platen Roller	1641115445	+screw	ESWG-M3x6-CRF	2	
2	6	Mini Clamp	060648060				
1	7	Wire	0705850098ES				
1	8	Wire	0705850097ES				

Name	Joint Center Assy
Part Number	1641104959



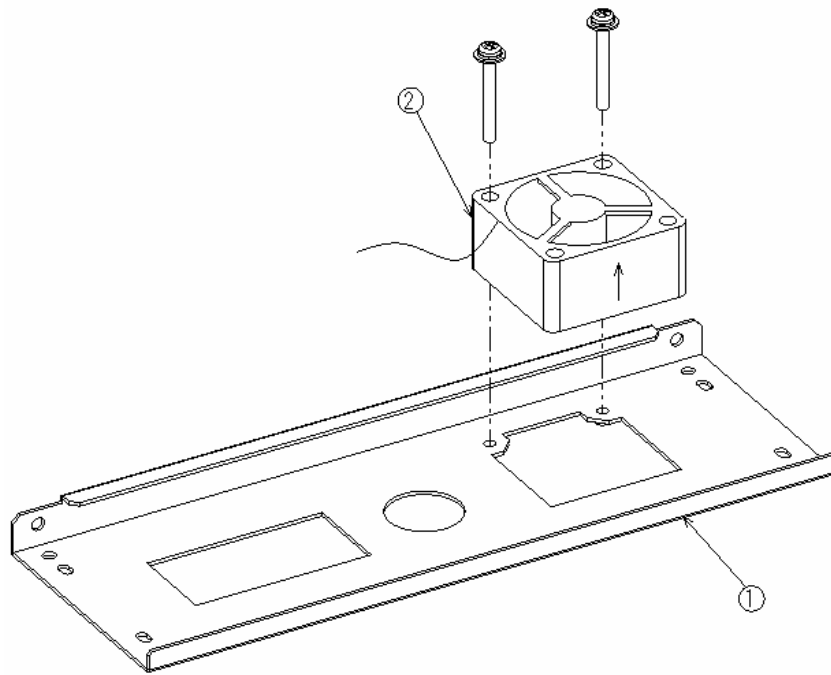
QTY	No.	Name	Part No.	Fasteners			Remarks
				Name	P/N	QTY	MODEL
1	1	Engine Side Frame(R)	1641115437				
2	2	Gear46	060050325	E ring	STP-E4	2	
1	3	Gear35	060050326ES	E ring	STP-E4	1	
1	4	Upper Lock Lever(R)	1641115484	E ring	STP-E3	1	
1	5	Gear18/70	0700501008	E ring	STP-E4	1	
1	6	DC Motor Assy (Ribbon Rewinding)	1641109910	+screw	ESWC-M3x4-CRF	2	
1	7	Encode Plate18	1641115236	+screw	ESWG-M3x6-CRF	1	
1	8	Oneway Hinge Assy	1641104989	+screw	ESWG-M3x8-CRF	2	
1	9	Pinch Lever Spacer	1641115182				
1	10	Pinch Lever(R)	1641115471	E ring	STP-E4	1	
1	11	Paper Guide Holder	1641115521	+screw	ESWG-M3x6-CRF	1	
3	12	Mini Clamp	060648060051				
1	13	Paper Drive Assy	1641104966				
1	14	Paper Drive Holder	1641115516	+screw	ESWG-M3x6-CRF	2	
1	15	Paper Holder(R) Assy	1641104967	+screw	ESWG-M3x6-CRF	4	
1	16	Ribbon Supply Sensor Assy	1641104970	+screw	ESWG-M3x6-CRF	1	
1	17	Oneway Hinge Holder	1641115986ES				

Name	Engine Frame(R) Assy
Part Number	1641104961



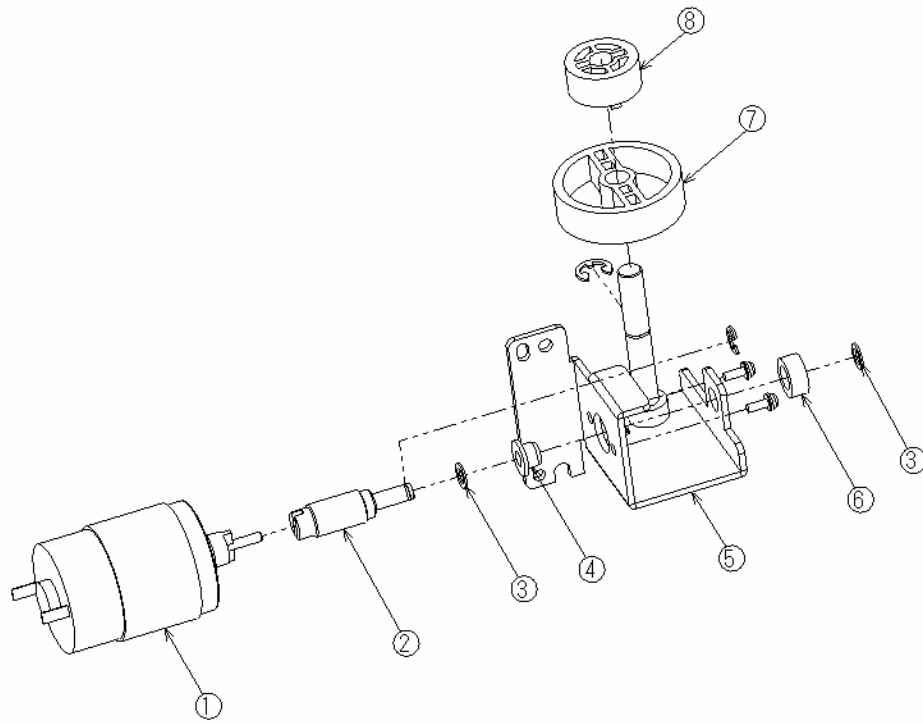
QTY	No.	Name	Part No.	Fasteners			Remarks
				Name	P/N	QTY	MODEL
1	1	Engine Side Frame(L)	1641115438				
1	2	Spring	1641115548				
1	3	Upper Lock Lever(L)	1641115483	E ring	STP-E3	1	
1	4	Tension Pulley Holder Assy	1641104964	+screw	ESWG-M3x6-CRF	1	
1	5	Cover Open Slider	1641115558	+screw	ESWG-M3x6-CRF	2	
1	6	Spring	060570121DE632				
1	7	Pinch Lever Spacer	1641115182				
1	8	Pinch Lever(L)	1641115471051	E ring	STP-E4	1	
1	9	Paper Guide Holder	1641115521051	+screw	ESWG-M3x6-CRF	1	
1	10	Pulse Motor Assy	1641104963	+screw	ESWG-M4x8-CRF	2	
1	11	Engine Open Stud B	1641115560	+screw	ESWG-M3x6-CRF	1	
1	12	Paper Holder(L) Assy	1641104968	+screw	ESWG-M3x6-CRF	4	

Name	Engine Frame(L) Assy
Part Number	1641104962



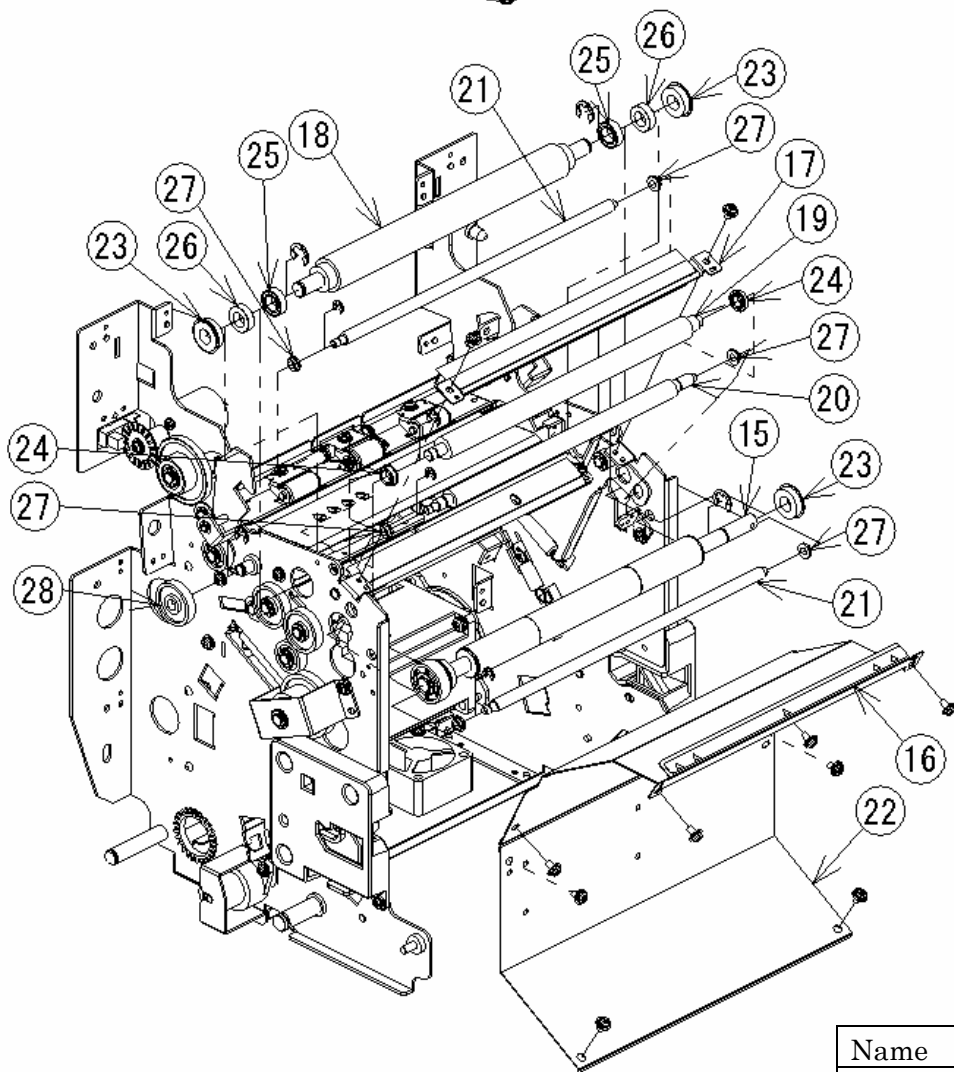
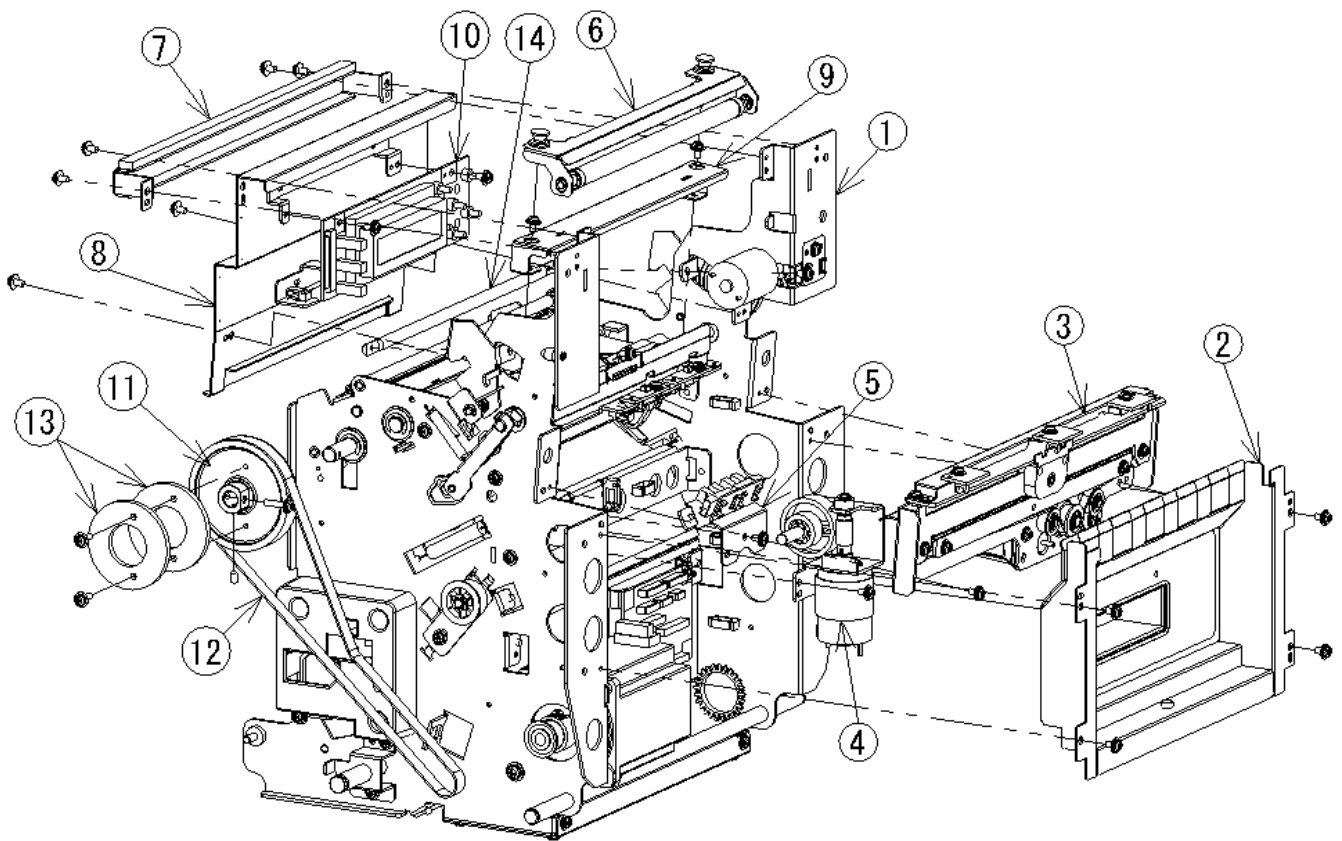
QTY	No.	Name	Part No.	Fasteners			Remarks
				Name	P/N	QTY	MODEL
1	1	Joint Rear	1641115528				
1	2	DC Fan	1641107025051ES	+screw	ESWG-M3x25-CRF	2	

Name	Joint Rear
Part Number	1641105038

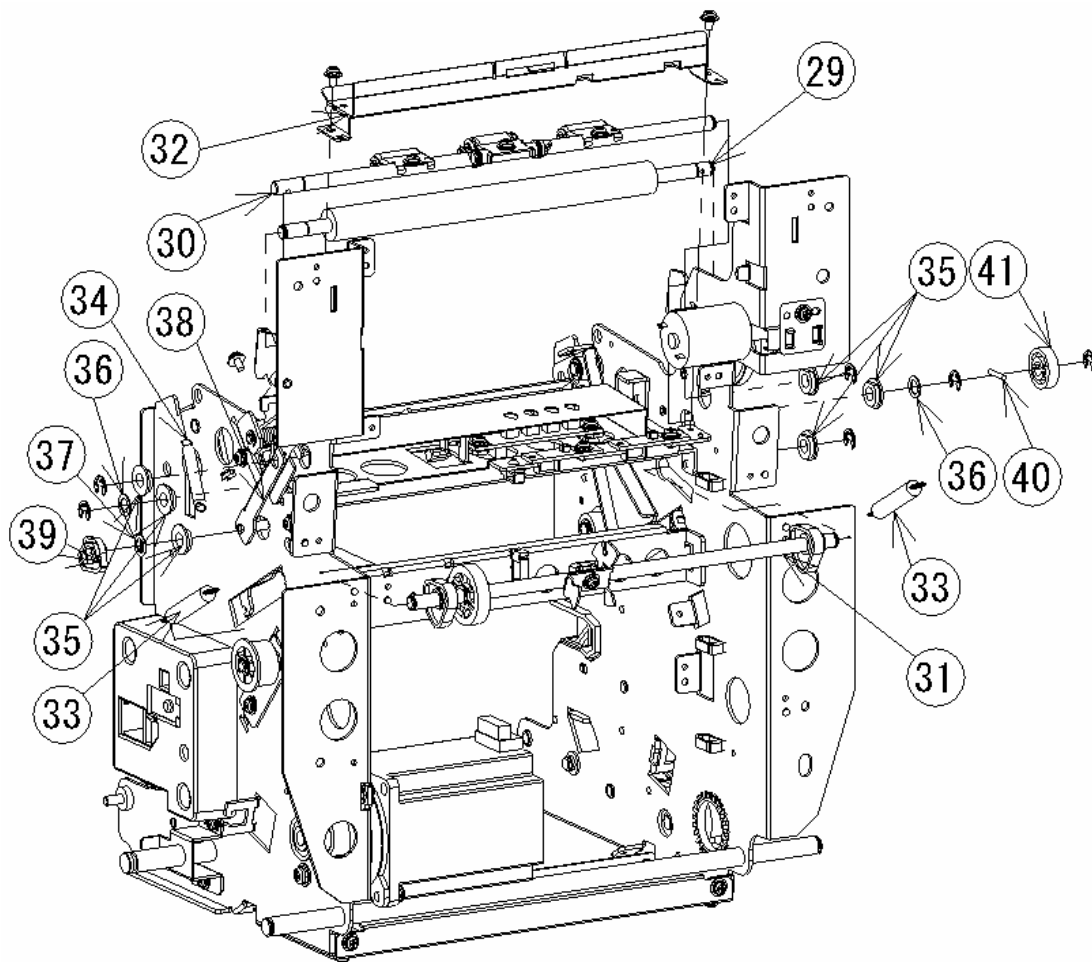


QTY	No.	Name	Part No.	Fasteners			Remarks
				Name	P/N	QTY	MODEL
1	1	DC Motor Assy	1641102992053	+screw	ESWC-M2.6x6-CRF	2	
1	2	Gear (Worm)	1641104064	E ring	STP-E3	1	
2	3	Washer	060930012067				
1	4	Flange Bush	060930080051				
1	5	Pinch Motor Holder	1641115245	E ring	STP-E4	1	
1	6	Stopper, Axis (Worm)	1641112764				
1	7	Gear52	060050144				
1	8	Gear18	060050320				

Name	DC Motor Assy(PinchRoller)
Part Number	1641109908



Name	Engine Unit
Part Number	1641104990

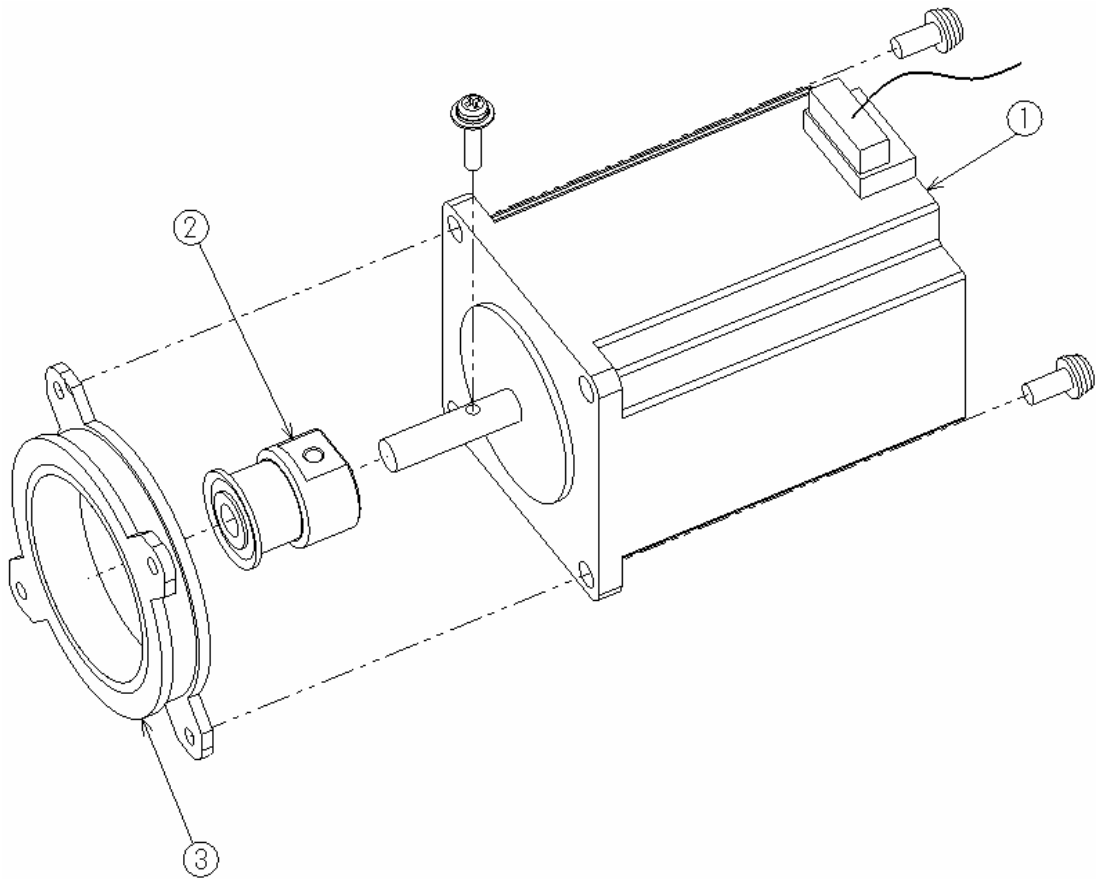


QTY	No.	Name	Part No.	Fasteners			Remarks
				Name	P/N	QTY	MODEL
1	1	Engine Frame Assy	1641104960				
1	2	Dustbox Holder Assy	1641104974	+screw	ESWG-M3x6-CRF	4	
1	3	Cutter Unit	1641109902	+screw	ESWG-M3x6-CRF	2	
1	4	DC Motor Assy(PinchRoller)	1641109908	+screw	ESWG-M3x6-CRF	2	
1	5	Position Sensor Assy	1641104976	+screw	ESWG-M3x6-CRF	1	
1	6	Cleaning Roller Assy	1641109912				
1	7	Handle Frame Assy	1641105054	+screw	ESWG-M3x6-CRF	2	
1	8	Joint Front Top Assy	1641104973	+screw	ESWG-M3x6-CRF	4	
1	9	Guide Feed(Upper)Assy	1641105055	+screw	ESWG-M3x6-CRF	2	
1	10	HSSV8-LCD-F Assy	1641109905	+screw	ESWG-M3x6-CRF	2	
1	11	Timing Pulley	0700199013	+screw	ESWG-M3x14-CRF	1	
1	12	Timing Belt	0709117003				
2	13	Plate Pulley	1641115741ES	+screw	ESWG-M3x10-CRF	2	
1	14	Upper Lock Shaft	1641115519	+screw	ESWG-M3x6-CRF	2	
1	15	Main Feed Roller Assy	1641104971	E ring	STP-E6	1	
1	16	Paper Guide(Front) Assy	1641105059	+screw	ESWG-M3x6-CRF	4	

Name	Engine Unit
Part Number	1641104990

QTY	No.	Name	Part No.	Fasteners			Remarks
				Name	P/N	QTY	MODEL
1	17	Paper Guide Assy	1641104972	+screw	ESWG-M3x6-CRF	2	
1	18	Platen Roller	1641109913	E ring	STP-E6	1	
1	19	Main Pinch Roller	1641109928	E ring	STP-E4	1	
1	20	Cleaning Roller	16411099011	E ring	STP-E3	1	
2	21	Guide Roller	1641115181	E ring	STP-E3	2	
1	22	Paper Guide(Back) Assy	1641104977	+screw	ESWG-M3x6-CRF	4	
3	23	Bearing	060910115				
2	24	Bearing	060910108				
2	25	Bearing	060910116				
2	26	Collar	0702608001051ES				
6	27	Bearing	060910937060ES				
1	28	Gear46	060050325	E ring	STP-E4	1	
1	29	Feed Roller	1641109914	E ring	STP-E4	2	
1	30	Feed Pinch Shaft Assy	1641104979	E ring	STP-E4	2	
1	31	Pinch Cam Shaft Assy	1641104978	E ring	STP-E4	2	
1	32	Guide Feed Roller	1641115448	+screw	ESWG-M3x6-CRF	2	
2	33	Spring	0705701004058				
1	34	Spring	060570115080				
6	35	Bearing	060930088				
2	36	Washer	060930012076				
1	37	Washer	060930012075				
1	38	Feed Pinch Lever	1641115481				
1	39	Feed Pinch Cam	1641115256				
1	40	Parallel Pin	PPH-2x12-SUS				
1	41	Gear35	060050326ES				

Name	Engine Unit
Part Number	1641104990



QTY	No.	Name	Part No.	Fasteners			Remarks
				Name	P/N	QTY	MODEL
1	1	Pulse Motor	070670012				
1	2	Pulley32	0700199014	+screw	ESWG-M3x14-CRF	1	
1	3	Rubber Vibration Insulator	060914214	+screw	ESWF-M4X10-CRF	2	

Name	Pulse Motor Assy
Part Number	1641104963